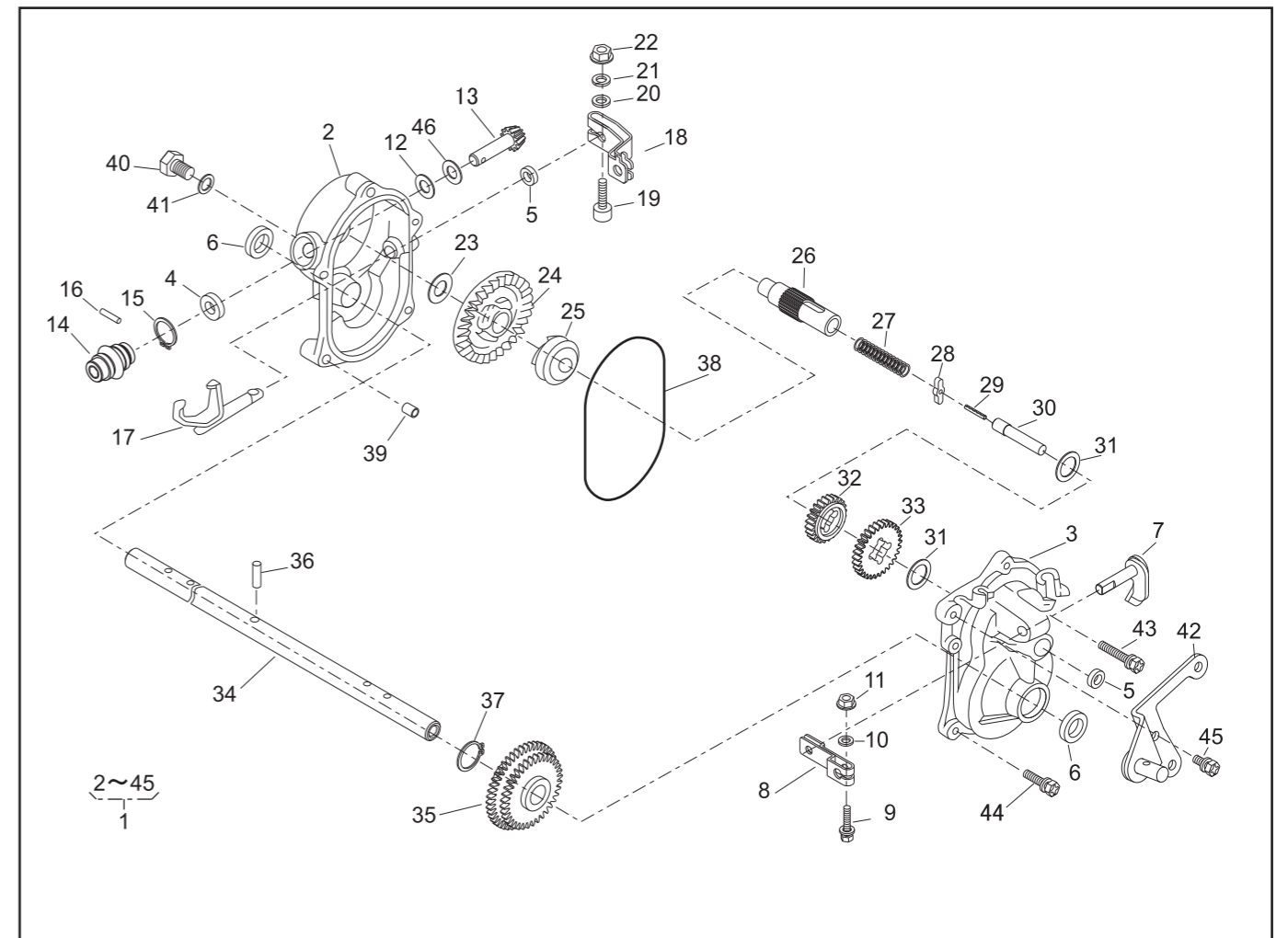


PARTS LIST
GEAR CASE ASSY (71008-377)

P/L No. 46014-264-02

NOTE	REF. No.	PARTS No.	PARTS NAME	GEAR CASE		1/2	RECOMM.(%) Lot.100	REMARKS
				Q'TY INCLUDING	PRICE()			
	1	71008 377	GEAR CASE ASSY	1				
	2	51001 195	GEAR CASE	1				
	3	51001 196	GEAR CASE	1				
	4	61002 161	OIL SEAL	1				
	5	61002 162	OIL SEAL	2				
	6	61002 163	OIL SEAL	2				
F	7	64024 104	SHIFTER SHAFT	1				
	8	11104 119	ARM	1				
F	9	320L 0525	(+)HEXAGON BOLT(W/PW)	1				
	10	611L 0500	PLAIN WASHER	1				
	11	571L 0500	FLANGE NUT	1				
	12	61003 109	THRUST PLATE	1				
	13	78003 130	PINION	1				
	14	91097 101	UNIVERSAL JOINT	1				
F	15	812V 2000	C-SNAP RING	1				
	16	717B 0418	PARALLEL PIN	1				
E	17	11097 106	SHIFTER FORK	1				
	18	11104 137	ARM	1				
	19	419U 0630	SOCKET SCREW	1				
	20	611L 0600	PLAIN WASHER	1				
	21	661L 0600	SPRING LOCK WASHER	1				
	22	512L 0600	HEXAGON NUT	1				
	23	61024 117	SPACER	1				
	24	78001 162	BEVEL GEAR	1				
	25	11129 107	CLUTCH	1				
	26	64014 236	SHAFT	1				
	27	68013 262	SPRING	1				



PARTS LIST
GEAR CASE ASSY (71008-377)

P/L No. 46014-264-02

NOTE	REF. No.	PARTS No.	PARTS NAME	GEAR CASE		2/2	RECOMM.(%) Lot.100	REMARKS
				Q'TY INCLUDING	PRICE()			
	28	31034 171	PIN	1				
	29	736U 0320	SPRING PIN	1				
	30	64014 235	SHAFT	1				
	31	61024 118	SPACER	2				
	32	78004 156	GEAR	1				
	33	78004 155	GEAR	1				
	34	64014 344	SHAFT	1				
	35	78012 107	GEAR C.P.	1				
F	36	31034 150	PIN	1				
	37	812V 2200	C-SNAP RING	1				
	38	214B 11000	O-RING	1				
	39	11083 201	COLLAR	2				
	40	31057 262	HEXAGON BOLT	1				
	41	68001 110	FIBER WASHER	1				
Z	42	11006 157	STAY C.P.	1				
	43	315L 0625	(+)HEXAGON BOLT(SW,PW)	3				
	44	315L 0635	(+)HEXAGON BOLT(SW,PW)	2				
	45	318L 0612	(+)HEXAGON BOLT(SW)	1				
	46	68007 132	SHIM	0~2				