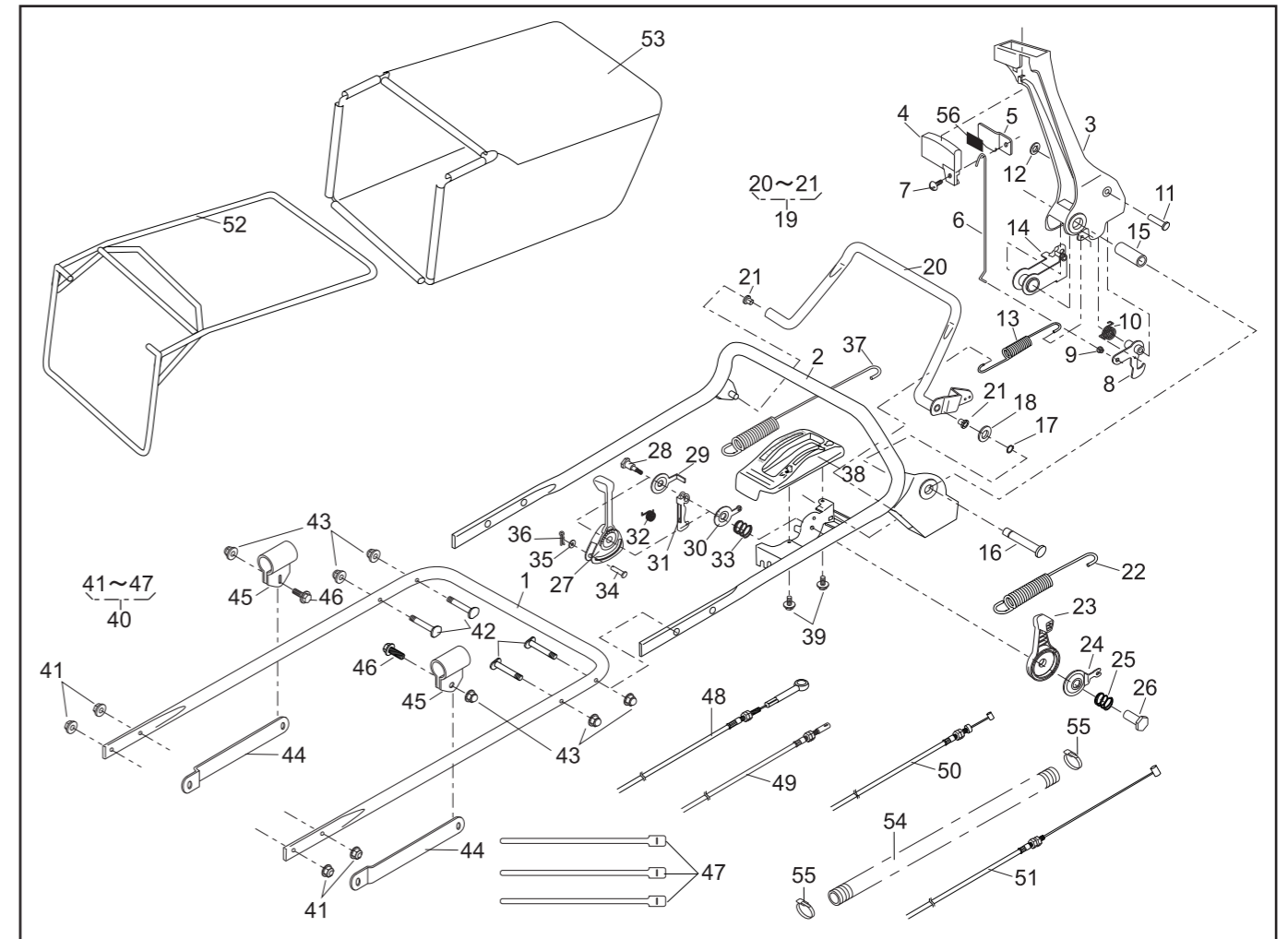


PARTS LIST

P/L No. 46014-482-00

| REF. No. | PARTS No.        | PARTS NAME                    | HANDLE-HST-PRO |          | RECOMM.(%)<br>Lot.100 | REMARKS |
|----------|------------------|-------------------------------|----------------|----------|-----------------------|---------|
|          |                  |                               | Q'TY INCLUDING | PRICE( ) |                       |         |
| 1        | 51027   249      | HANDLE                        | 1              |          |                       |         |
| 2        | 51027   250      | HANDLE                        | 1              |          |                       |         |
| 3        | 11095   172      | LEVER(BBC)                    | 1              |          |                       |         |
| 4        | 36110   102      | BUTTON                        | 1              |          |                       |         |
| 5        | 11049   109      | SLIDE PLATE                   | 1              |          |                       |         |
| 6        | 64014   336      | SHAFT                         | 1              |          |                       |         |
| 7        | 376L   0612      | (+)TRUSS SCREW                | 1              |          |                       |         |
| 8        | 71203   135      | ARM C.P.                      | 1              |          |                       |         |
| 9        | 76007   183      | BUSH                          | 1              |          |                       |         |
| 10       | 68013   371      | SPRING                        | 1              |          |                       |         |
| 11       | 31056   127      | GIB-HEADED PIN                | 1              |          |                       |         |
| 12       | 576V   0600      | PUSH NUT                      | 1              |          |                       |         |
| 13       | 68013   392      | SPRING                        | 1              |          |                       |         |
| 14       | 11109   111      | LINK                          | 1              |          |                       |         |
| 15       | 61023   190      | SLEEVE                        | 1              |          |                       |         |
| 16       | 64014   337      | SHAFT                         | 1              |          |                       |         |
| 17       | 812V   0800      | C-SNAP RING                   | 1              |          |                       |         |
| 18       | 613L   0800      | PLAIN WASHER                  | 1              |          |                       |         |
| 19       | 71161   114   09 | LEVER ASS'Y                   | 1              |          |                       |         |
| 20       |                  | LEVER                         | 1              |          |                       |         |
| 21       | 76007   131      | BUSH                          | 2              |          |                       |         |
| 22       | 68013   385      | SPRING                        | 1              |          |                       |         |
| 23       | 91010   169      | THROTTLE LEVER(GXV120/GXV160) | 1              |          |                       |         |
| 24       | 61003   113      | THRUST PLATE                  | 1              |          |                       |         |
| 25       | 68013   356      | SPRING                        | 1              |          |                       |         |
| 26       | 31058   168      | HEXAGON NUT                   | 1              |          |                       |         |
| 27       | 11095   162      | LEVER(HST)                    | 1              |          |                       |         |
| 28       | 31057   249      | HEXAGON BOLT                  | 1              |          |                       |         |
| 29       | 61003   118      | THRUST PLATE                  | 1              |          |                       |         |
| 30       | 11049   108      | SLIDE PLATE                   | 1              |          |                       |         |



PARTS LIST

P/L No. 46014-482-00

| REF. No. | PARTS No.   | PARTS NAME                   | HANDLE-HST-PRO |          | RECOMM.(%)<br>Lot.100 | REMARKS |
|----------|-------------|------------------------------|----------------|----------|-----------------------|---------|
|          |             |                              | Q'TY INCLUDING | PRICE( ) |                       |         |
| 31       | 11109   112 | LINK                         | 1              |          |                       |         |
| 32       | 68013   369 | SPRING                       | 1              |          |                       |         |
| 33       | 68013   356 | SPRING                       | 1              |          |                       |         |
| 34       | 31056   126 | GIB-HEADED PIN               | 1              |          |                       |         |
| 35       | 613L   0600 | PLAIN WASHER                 | 1              |          |                       |         |
| 36       | 733L   0600 | SNAP PIN                     | 1              |          |                       |         |
| 37       | 68013   375 | SPRING                       | 1              |          |                       |         |
| 38       | 71900   811 | COVER ASS'Y                  | 1              |          |                       |         |
| 39       | 470L   0514 | (+)TAPPING SCREW             | 2              |          |                       |         |
| 40       | 71900   845 | BOLT SET                     | 1              |          |                       |         |
| 41       | 569L   0800 | FLANGE NYLON NUT             | 4              |          |                       |         |
| 42       | 31057   256 | HEXAGON BOLT                 | 4              |          |                       |         |
| 43       | 583L   0800 | FLANGE CAP NUT               | 6              |          |                       |         |
| 44       | 71900   846 | BAR SET                      | 1              |          |                       |         |
| 45       | 11012   132 | HANGER BAND                  | 2              |          |                       |         |
| 46       | 31057   181 | HEXAGON BOLT                 | 2              |          |                       |         |
| 47       | 68028   118 | WIRE BAND                    | 3              |          |                       |         |
| 48       | 91003   178 | CONTROL CABLE                | 1              |          |                       |         |
| 49       | 91003   179 | CONTROL CABLE                | 1              |          |                       |         |
| 50       | 91001   329 | THROTTLE WIRE(GXV120/GXV160) | 1              |          |                       |         |
| 51       | 91003   169 | CONTROL CABLE(BBC)           | 1              |          |                       |         |
| 52       | 11062   178 | FRAME C.P.                   | 1              |          |                       |         |
| 53       | 36098   132 | GRASS BAG C.P.(KAAZ)         | 1              |          |                       |         |
| 54       | 41003   201 | TUBE (15.6x800L)             | 1              |          |                       |         |
| 55       | 68028   119 | WIRE BAND                    | 2              |          |                       |         |
| 56       | 36080   156 | RUBBER SHEET                 | 1              |          |                       |         |
| 57       |             |                              |                |          |                       |         |
| 58       |             |                              |                |          |                       |         |
| 59       |             |                              |                |          |                       |         |
| 60       |             |                              |                |          |                       |         |