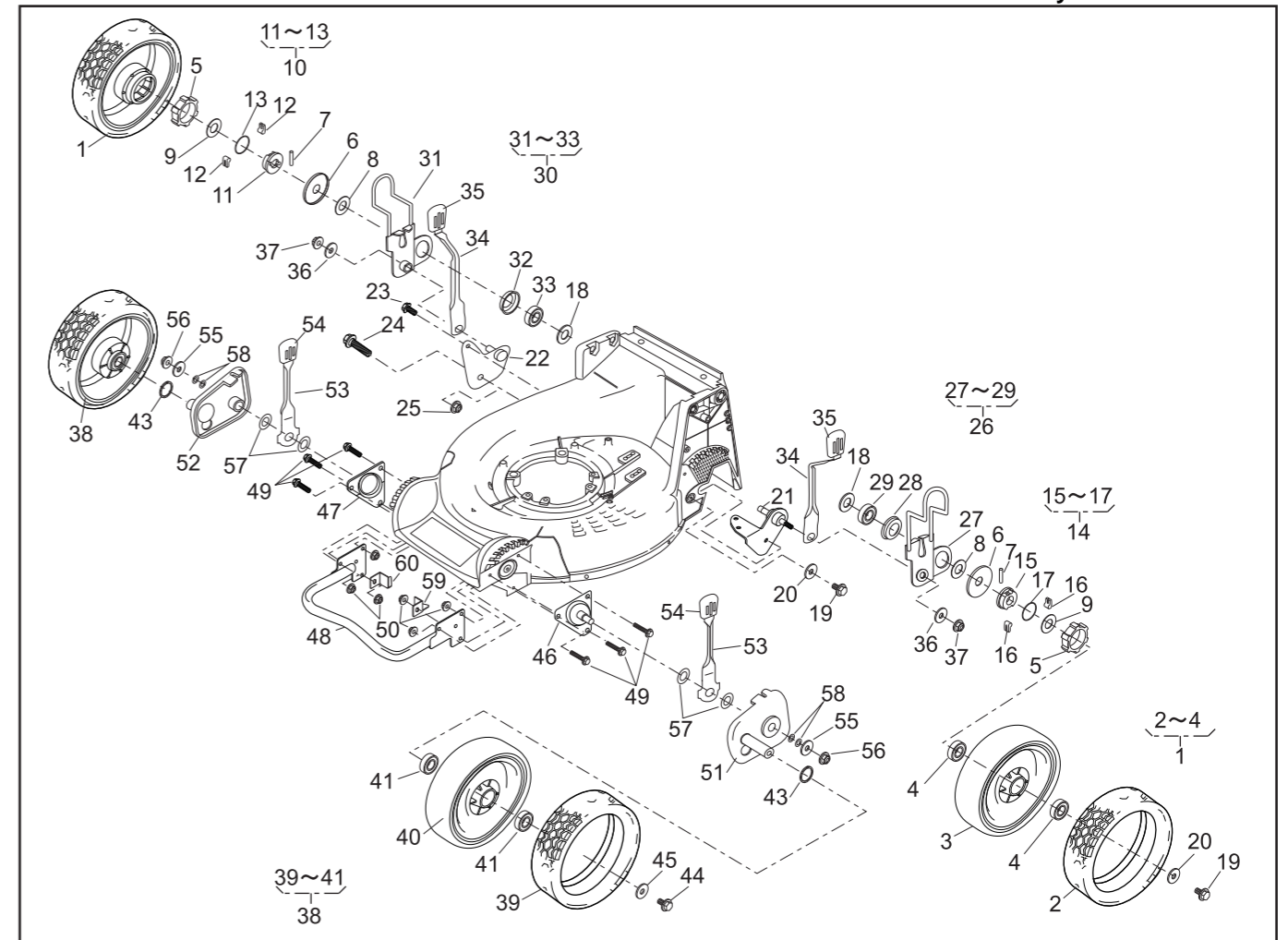


PARTS LIST

P/L No. 46014-507-00

NOTE	REF. No.	PARTS No.	PARTS NAME	9.6"AI-WHEEL-HST-PRO		RECOMM.(%) Lot.100	REMARKS
				Q'TY	PRICE()		
	1	71041 144	WHEEL ASS'Y(9.6"A.W.)	2			
	2	91086 116	TIRE	2			
	3		WHEEL	2			
	4	916B 6002	BEARING	4			
	5	11086 119	STOPPER	2			
	6	61003 112	THRUST PLATE	2			
	7	31034 137	PIN	2			
	8	68036 270	WASHER	2			
	9	68036 146	WASHER	2			
	10	71158 101	RATCHET ASS'Y(R)	1			
	11	11102 138	HOLDER	1			
	12	31034 170	PIN	2			
	13	68013 266	SPRING	1			
	14	71158 102	RATCHET ASS'Y(L)	1			
	15	11102 138	HOLDER	1			
	16	31034 170	PIN	2			
	17	68013 266	SPRING	1			
	18	68036 275	WASHER	2			
	19	31057 181	HEXAGON BOLT	3			
	20	68036 101	WASHER	3			
	21	11006 162	STAY C.P.(HST)	1			
	22	11006 152	STAY C.P.(RR)	1			
	23	342L 0612	FLANGE TAPPING BOLT	1			
	24	31057 255	HEXAGON BOLT	1			
	25	584L 0800	U-FLANGE NUT	1			
	26	71122 110	ADJUSTER ASS'Y(L)	1			
	27	11142 125	ADJUSTER(RL)	1			
	28	11102 228	HOLDER	1			
	29	916B 6202	BEARING	1			
	30	71122 111	ADJUSTER ASS'Y(R)	1			



PARTS LIST

P/L No. 46014-507-00

NOTE	REF. No.	PARTS No.	PARTS NAME	9.6"AI-WHEEL-HST-PRO		RECOMM.(%) Lot.100	REMARKS
				Q'TY	PRICE()		
	31	11142 126	ADJUSTER(RR)	1			
	32	11102 228	HOLDER	1			
	33	916B 6202	BEARING	1			
	34	11150 105 09	ADJUST LEVER	2			
	35	36061 121	KNOB	2			
	36	613L 0800	PLAIN WASHER	2			
	37	569L 0800	FLANGE NYLON NUT	2			
	38	71041 145	WHEEL ASS'Y(9.6"A.W.)	2			
	39	91086 116	TIRE	2			
	40		WHEEL	2			
	41	916B 6002	BEARING	4			
	42						
	43	51113 119	RING	2			
	44	31057 181	HEXAGON BOLT	2			
	45	68036 101	WASHER	2			
	46	11006 153	STAY C.P.(FL)	1			
	47	11006 154	STAY C.P.(FR)	1			
	48	11153 112	BUMPER	1			
	49	335L 0625	FLANGE BOLT	6			
	50	569L 0600	FLANGE NYLON NUT	6			
	51	11142 127	ADJUSTER(FL)	1			
	52	11142 128	ADJUSTER(FR)	1			
	53	11150 109 09	ADJUST LEVER	2			
	54	36061 121	KNOB	2			
	55	68036 101	WASHER	2			
	56	584L 0800	U-FLANGE NUT	2			
	57	68013 393	SPRING	4			
	58	68007 105	SHIM	0~4			
	59	11113 418	STAY(L)	1			
	60	11113 417	STAY(R)	1			