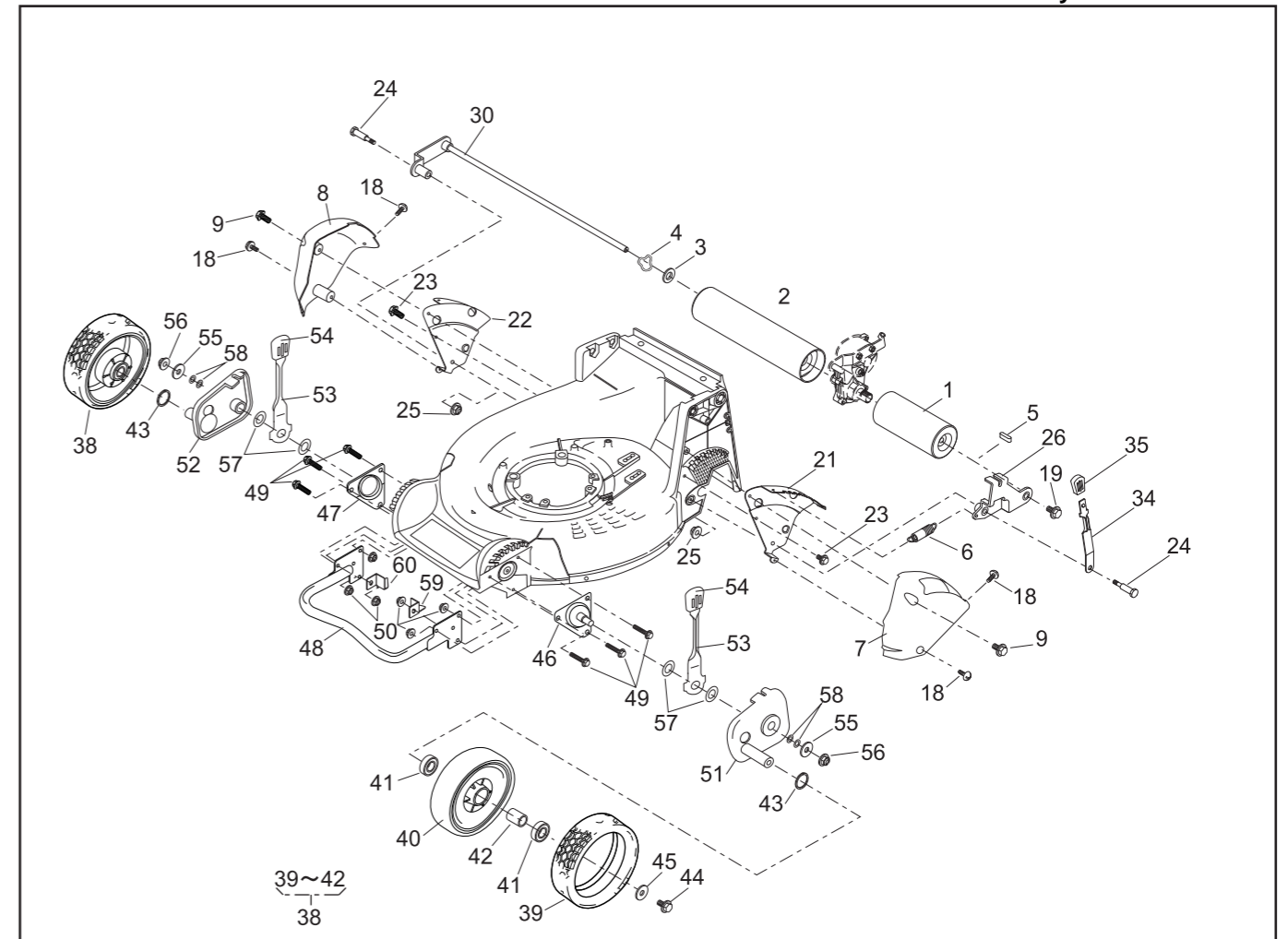


**PARTS LIST**

P/L No. 46014-512-00

REF. No.	PARTS No.	PARTS NAME	8"AI-ROLLER-PRO		RECOMM.(%) Lot.100	REMARKS
			Q'TY INCLUDING	PRICE( )		
1	36099   102	ROLLER(L)	1			
2	36099   103	ROLLER(R)	1			
3	61024   118	SPACER	0~2			
4	664V   0016	WAVE SPRING WASHER	0~2			
5	91020   131	KEY	1			
6	68013   265	SPRING	1			
7	36065   444	COVER	1			
8	36065   445	COVER	1			
9	342L   0616	FLANGE TAPPING BOLT	2			
10						
11						
12						
13						
14						
15						
16						
17						
18	475L   0516	(+)TAPPING SCREW	4			
19	31057   181	HEXAGON BOLT	1			
20						
21	11113   411	STAY(RL)	1			
22	11113   412	STAY(RR)	1			
23	342L   0612	FLANGE BOLT TAPPING	2			
24	31057   261	HEXAGON BOLT	2			
25	569L   0800	FLANGE NYLON NUT	2			
26	11142   136	ADJUSTER(L)	1			
27						
28						
29						
30	11142   137	ADJUSTER(R)	1			



**PARTS LIST**

P/L No. 46014-512-00

REF. No.	PARTS No.	PARTS NAME	8"AI-ROLLER-PRO		RECOMM.(%) Lot.100	REMARKS
			Q'TY INCLUDING	PRICE( )		
31						
32						
33						
34	11150   108   09	ADJUST LEVER	1			
35	36061   121	KNOB	1			
36						
37						
38	71041   135	WHEEL ASSY(A.W.)	2			
39	91086   113	TIRE	2			
40		WHEEL	2			
41	916B   6002	BEARING	4			
42	11083   332	COLLAR	2			
43	51113   119	RING	2			
44	31057   181	HEXAGON BOLT	2			
45	68036   101	WASHER	2			
46	11006   153	STAY C.P.(FL)	1			
47	11006   154	STAY C.P.(FR)	1			
48	11153   112	BUMPER	1			
49	335L   0625	FLANGE BOLT	6			
50	569L   0600	FLANGE NYLON NUT	6			
51	11142   129	ADJUSTER(FL)	1			
52	11142   130	ADJUSTER(FR)	1			
53	11150   109   09	ADJUST LEVER	2			
54	36061   121	KNOB	2			
55	68036   101	WASHER	2			
56	584L   0800	U-FLANGE NUT	2			
57	68013   393	SPRING	4			
58	68007   105	SHIM	0~4			
59	11113   418	STAY(L)	1			
60	11113   417	STAY(R)	1			