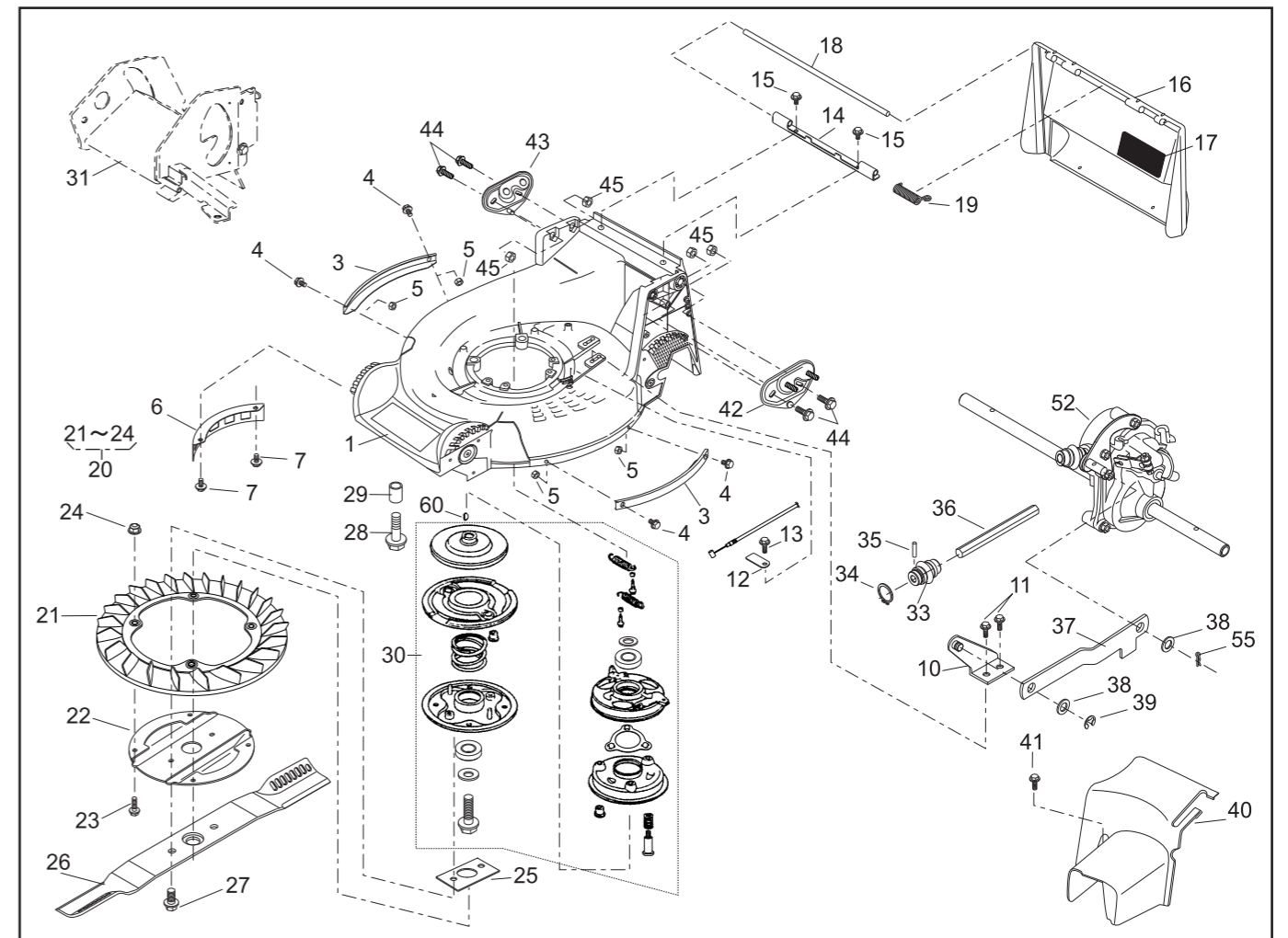


PARTS LIST

P/L No. 46014-533-00

NOTE	REF. No.	PARTS No.	PARTS NAME	GRASS-CUTTING		PRICE()	RECOMM.(%) Lot.100	REMARKS
				Q'TY	INCLUDING			
	1	51043 152 42	HOUSING	1				
	2							
	3	51090 117 09	PROTECTOR	2				
	4	335L 0616	FLANGE BOLT	4				
	5	512L 0600	HEXAGON NUT	4				
	6	36065 180	COVER	1				
	7	342L 0612	FLANGE TAPPING BOLT	2				
	8							
	9							
	10	11006 155	STAY C.P.	1				
	11	342L 0612	FLANGE TAPPING BOLT	2				
	12	11113 407	STAY	1				
	13	342L 0612	FLANGE TAPPING BOLT	1				
	14	11113 292	STAY	1				
	15	342L 0612	FLANGE TAPPING BOLT	2				
	16	36068 196 46	GUARD	1				
	17	36080 149	RUBBER SHEET	1				
	18	64014 324	SHAFT	1				
	19	68013 336	SPRING	1				
	20	71082 111	FAN ASS'Y	1				
	21	51125 103	FAN	1				
	22	11102 151	HOLDER	1				
	23	31062 169	PRE-COAT LOCK BOLT	4				
	24	579L 0600	FLANGE NUT	4				
	25	61024 208	SPACER	1				
	26	91014 188	BLADE	1				
	27	31057 197	HEXAGON BOLT	2				
	28	31057 243	HEXAGON BOLT	4				
	29	61024 142	SPACER	3				
	30	71067 106	BRAKE ASS'Y	1				



PARTS LIST

P/L No. 46014-533-00

NOTE	REF. No.	PARTS No.	PARTS NAME	GRASS-CUTTING		PRICE()	RECOMM.(%) Lot.100	REMARKS
				Q'TY	INCLUDING			
	31		COVER UNIT (Ref. P/L No. 46012-548-**)					
	32							
	33	91097 101	UNIVERSAL JOINT	1				
	34	812V 2000	C-SNAP RING	1				
	35	717B 0418	PARALLEL PIN	1				
	36	64014 358	SHAFT	1				
	37	91049 135	CONNECTOR	1				
	38	68036 280	WASHER	2				
	39	816V 0800	E-SNAP RING	1				
	40	36065 438	COVER	1				
	41	342L 0616	FLANGE TAPPING BOLT	1				
	42	51116 149	HANDLE BRACKET(L)	1				
	43	51116 150	HANDLE BRACKET(R)	1				
	44	31057 255	HEXAGON BOLT	4				
	45	512L 0800	HEXAGON NUT	4				
	46							
	47							
	48							
	49							
	50							
	51							
	52	71008 275	GEAR CASE ASS'Y	1				
	53							
	54							
	55	733L 1000	SNAP PIN	1				
	56							
	57							
	58							
	59	122039	ENGINE:HONDA GXV160H2-SFL1-R280	1				
	60		WOODRUFF KEY	1				