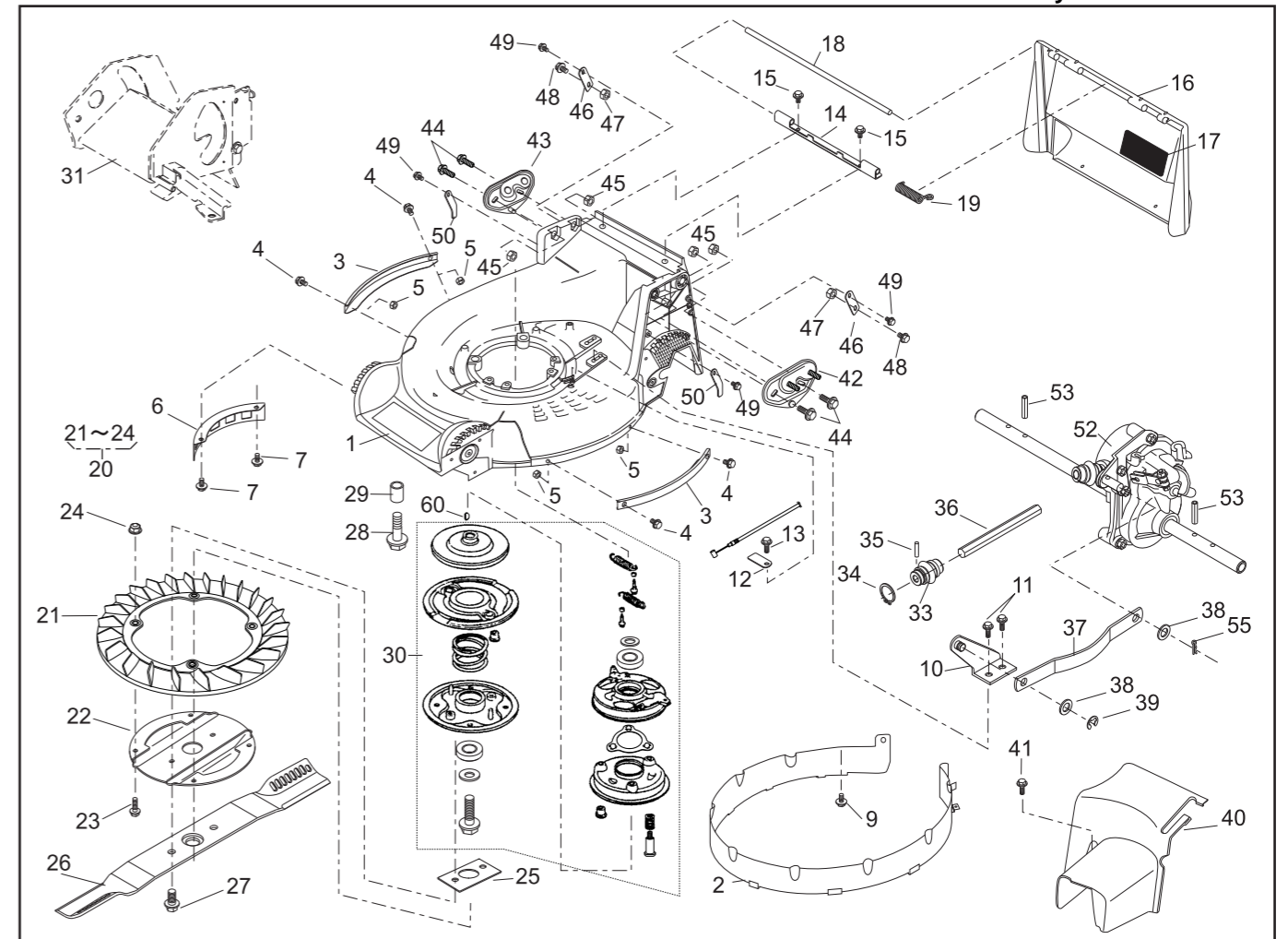


PARTS LIST

P/L No. 46014-538-00

NOTE	REF. No.	PARTS No.	PARTS NAME	GARSS-CUTTING-PRO		1/2	Dec. 25, 2006	REMARKS
				Q'TY INCLUDING	PRICE( )			
	1	51043   151   42	HOUSING	1				
	2	36068   204	GUARD	1				
	3	51090   117   09	PROTECTOR	2				
	4	335L   0616	FLANGE BOLT	4				
	5	512L   0600	HEXAGON NUT	4				
	6	36065   180	COVER	1				
	7	342L   0612	FLANGE BOLT TAPPING	2				
	8							
	9	342L   0612	FLANGE BOLT TAPPING	1				
	10	11006   155	STAY C.P.	1				
	11	342L   0612	FLANGE BOLT TAPPING	2				
	12	11113   407	STAY	1				
	13	342L   0612	FLANGE BOLT TAPPING	1				
	14	11113   292	STAY	1				
	15	342L   0612	FLANGE BOLT TAPPING	2				
	16	36068   196   46	GUARD	1				
	17	36080   149	RUBBER SHEET	1				
	18	64014   324	SHAFT	1				
	19	68013   336	SPRING	1				
	20	71082   111	FAN ASSY	1				
	21	51125   103	FAN	1				
	22	11102   151	HOLDER	1				
	23	31062   169	PRE-COAT LOCK BOLT	4				
	24	579L   0600	FLANGE NUT	4				
	25	61024   208	SPACER	1				
	26	91014   188	BLADE	1				
	27	31057   197	HEXAGON BOLT	2				
	28	31057   243	HEXAGON BOLT	4				
	29	61024   142	SPACER	3				
	30	71067   106	BRAKE ASSY	1				



PARTS LIST

P/L No. 49014-538-00

NOTE	REF. No.	PARTS No.	PARTS NAME	GARSS-CUTTING-PRO		2/2	Dec. 25, 2006	REMARKS
				Q'TY INCLUDING	PRICE( )			
	31		COVER UNIT (Ref. P/L No. 46012-550-**)					
	32							
	33	91097   101	UNIVERSAL JOINT	1				
	34	812V   2000	C-SNAP RING FOR SHAFT	1				
	35	717B   0418	PARALLEL PIN	1				
	36	64014   339	SHAFT	1				
	37	91049   129	CONNECTOR	1				
	38	68036   280	WASHER	2				
	39	816V   0800	E-SNAP RING	1				
	40	36065   438	COVER	1				
	41	342L   0616	FLANGE BOLT TAPPING	1				
	42	51116   149	HANDLE BRACKET(L)	1				
	43	51116   150	HANDLE BRACKET(R)	1				
	44	31057   255	HEXAGON BOLT	4				
	45	512L   0800	HEXAGON NUT	4				
	46	11113   408	STAY	2				
	47	512L   0800	HEXAGON NUT	2				
	48	31057   181	HEXAGON BOLT	2				
	49	342L   0612	FLANGE BOLT TAPPING	4				
	50	11113   415	STAY	2				
	51							
	52	71008   377	GEAR CASE ASSY	1				
	53	711V   0522	SPRING PIN	2				
	54							
	55	733L   1000	SNAP PIN	1				
	56							
	57							
	58							
	59	122039	ENGINE:HONDA GXV160H2-SFL1-R280	1				
	60		WOOD RUFF KEY	1				