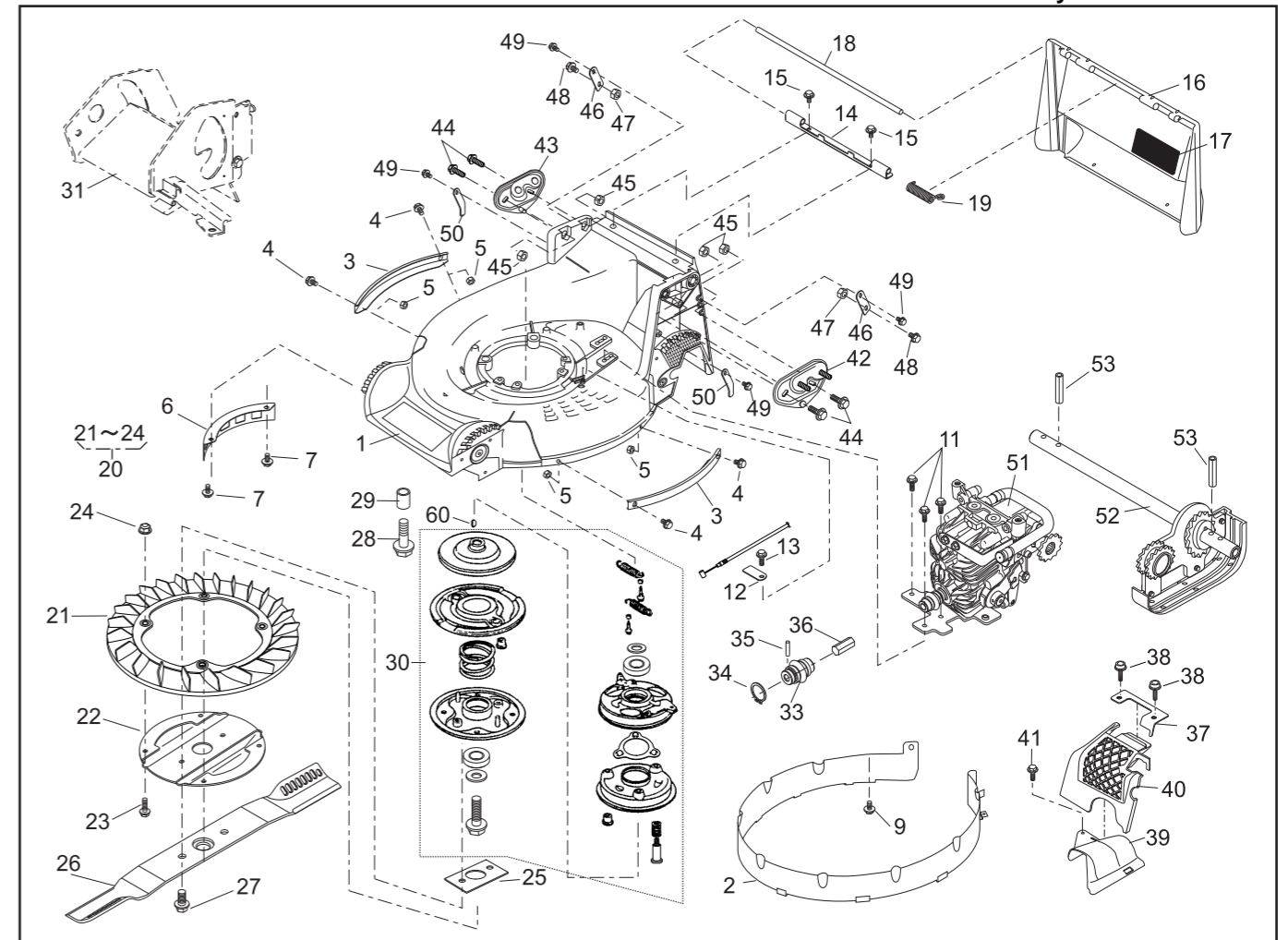


PARTS LIST

P/L No. 46014-542-00

| NOTE | REF. No. | PARTS No.        | PARTS NAME          | GRASS-CUTTING-HST-PRO |           | PRICE( ) | RECOMM.(%)<br>Lot.100 | REMARKS |
|------|----------|------------------|---------------------|-----------------------|-----------|----------|-----------------------|---------|
|      |          |                  |                     | Q'TY                  | INCLUDING |          |                       |         |
|      | 1        | 51043   151   42 | HOUSING             | 1                     |           |          |                       |         |
|      | 2        | 36068   204      | GUARD               | 1                     |           |          |                       |         |
|      | 3        | 51090   117   09 | PROTECTOR           | 2                     |           |          |                       |         |
|      | 4        | 335L   0616      | FLANGE BOLT         | 4                     |           |          |                       |         |
|      | 5        | 512L   0600      | HEXAGON NUT         | 4                     |           |          |                       |         |
|      | 6        | 36065   180      | COVER               | 1                     |           |          |                       |         |
|      | 7        | 342L   0612      | FLANGE TAPPING BOLT | 2                     |           |          |                       |         |
|      | 8        |                  |                     |                       |           |          |                       |         |
|      | 9        | 342L   0612      | FLANGE TAPPING BOLT | 1                     |           |          |                       |         |
|      | 10       |                  |                     |                       |           |          |                       |         |
|      | 11       | 342L   0612      | FLANGE TAPPING BOLT | 3                     |           |          |                       |         |
|      | 12       | 11113   407      | STAY                | 1                     |           |          |                       |         |
|      | 13       | 342L   0612      | FLANGE TAPPING BOLT | 1                     |           |          |                       |         |
|      | 14       | 11113   292      | STAY                | 1                     |           |          |                       |         |
|      | 15       | 342L   0612      | FLANGE TAPPING BOLT | 2                     |           |          |                       |         |
|      | 16       | 36068   196   46 | GUARD               | 1                     |           |          |                       |         |
|      | 17       | 36080   149      | RUBBER SHEET        | 1                     |           |          |                       |         |
|      | 18       | 64014   324      | SHAFT               | 1                     |           |          |                       |         |
|      | 19       | 68013   336      | SPRING              | 1                     |           |          |                       |         |
|      | 20       | 71082   111      | FAN ASS'Y           | 1                     |           |          |                       |         |
|      | 21       | 51125   103      | FAN                 | 1                     |           |          |                       |         |
|      | 22       | 11102   151      | HOLDER              | 1                     |           |          |                       |         |
|      | 23       | 31062   169      | PRE-COAT LOCK BOLT  | 4                     |           |          |                       |         |
|      | 24       | 579L   0600      | FLANGE NUT          | 4                     |           |          |                       |         |
|      | 25       | 61024   208      | SPACER              | 1                     |           |          |                       |         |
|      | 26       | 91014   188      | BLADE               | 1                     |           |          |                       |         |
|      | 27       | 31057   197      | HEXAGON BOLT        | 2                     |           |          |                       |         |
|      | 28       | 31057   243      | HEXAGON BOLT        | 4                     |           |          |                       |         |
|      | 29       | 61024   142      | SPACER              | 3                     |           |          |                       |         |
|      | 30       | 71067   106      | BRAKE ASS'Y         | 1                     |           |          |                       |         |



PARTS LIST

P/L No. 46014-542-00

| NOTE | REF. No. | PARTS No.   | PARTS NAME                             | GRASS-CUTTING-HST-PRO |           | PRICE( ) | RECOMM.(%)<br>Lot.100 | REMARKS |
|------|----------|-------------|--|-----------------------|-----------|----------|-----------------------|---------|
|      |          |             |  | Q'TY                  | INCLUDING |          |                       |         |
|      | 31       |             | COVER UNIT (Ref. P/L No. 46012-550-**) |                       |           |          |                       |         |
|      | 32       |             |  |                       |           |          |                       |         |
|      | 33       | 91097   101 | UNIVERSAL JOINT                        | 1                     |           |          |                       |         |
|      | 34       | 812V   2000 | C-SNAP RING                            | 1                     |           |          |                       |         |
|      | 35       | 717B   0418 | PARALLEL PIN                           | 1                     |           |          |                       |         |
|      | 36       | 64014   368 | SHAFT                                  | 1                     |           |          |                       |         |
|      | 37       | 11050   181 | FIXING PLATE                           | 1                     |           |          |                       |         |
|      | 38       | 423L   0820 | SOCKET SCREW FLANGE                    | 2                     |           |          |                       |         |
|      | 39       | 36065   453 | COVER                                  | 1                     |           |          |                       |         |
|      | 40       | 36065   454 | COVER                                  | 1                     |           |          |                       |         |
|      | 41       | 342L   0616 | FLANGE TAPPING BOLT                    | 1                     |           |          |                       |         |
|      | 42       | 51116   149 | HANDLE BRACKET(L)                      | 1                     |           |          |                       |         |
|      | 43       | 51116   150 | HANDLE BRACKET(R)                      | 1                     |           |          |                       |         |
|      | 44       | 31057   255 | HEXAGON BOLT                           | 4                     |           |          |                       |         |
|      | 45       | 512L   0800 | HEXAGON NUT                            | 4                     |           |          |                       |         |
|      | 46       | 11113   408 | STAY                                   | 2                     |           |          |                       |         |
|      | 47       | 512L   0800 | HEXAGON NUT                            | 2                     |           |          |                       |         |
|      | 48       | 31057   181 | HEXAGON BOLT                           | 2                     |           |          |                       |         |
|      | 49       | 342L   0612 | FLANGE TAPPING BOLT                    | 4                     |           |          |                       |         |
|      | 50       | 11113   415 | SATY                                   | 2                     |           |          |                       |         |
|      | 51       |             | HST UNIT (Ref. P/L No. 46012-339-**)   |                       |           |          |                       |         |
|      | 52       |             | SHAFT UNIT (Ref. P/L No. 46012-339-**) |                       |           |          |                       |         |
|      | 53       | 711V   0522 | SPRING PIN                             | 2                     |           |          |                       |         |
|      | 54       |             |  |                       |           |          |                       |         |
|      | 55       |             |  |                       |           |          |                       |         |
|      | 56       |             |  |                       |           |          |                       |         |
|      | 57       |             |  |                       |           |          |                       |         |
|      | 58       |             |  |                       |           |          |                       |         |
|      | 59       | 122039      | ENGINE:HONDA GXV160H2-SFL1-R280        | 1                     |           |          |                       |         |
|      | 60       |             | WOOD RUFF KEY                          | 1                     |           |          |                       |         |