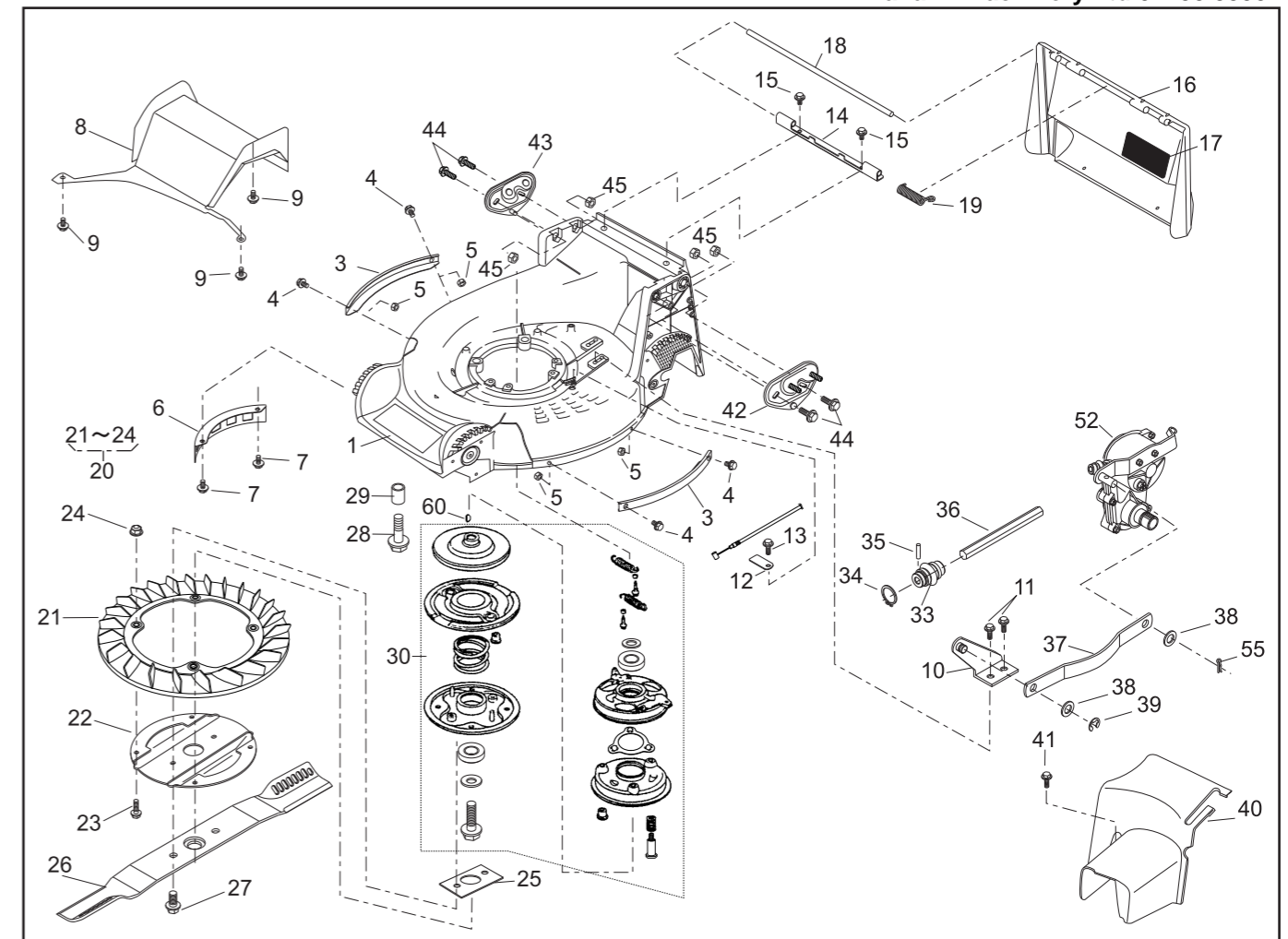


PARTS LIST

P/L No. 46014-545-00

NOTE	REF. No.	PARTS No.	PARTS NAME	GRASS-CUTTING		1/2	RECOMM.(%) Lot.100	Dec. 25, 2006	REMARKS
				Q'TY	PRICE()				
	1	51043 151 42	HOUSING	1					
	2								
	3	51090 117 09	PROTECTOR	2					
	4	335L 0616	FLANGE BOLT	4					
	5	512L 0600	HEXAGON NUT	4					
	6	36065 180	COVER	1					
	7	342L 0612	FLANGE BOLT TAPPING	2					
	8	36065 460 42	COVER	1					
	9	342L 0612	FLANGE BOLT TAPPING	3					
	10	11006 155	STAY C.P.	1					
	11	342L 0612	FLANGE BOLT TAPPING	2					
	12	11113 407	STAY	1					
	13	342L 0612	FLANGE BOLT TAPPING	1					
	14	11113 292	STAY	1					
	15	342L 0612	FLANGE BOLT TAPPING	2					
	16	36068 196 46	GUARD	1					
	17	36080 149	RUBBER SHEET	1					
	18	64014 324	SHAFT	1					
	19	68013 336	SPRING	1					
	20	71082 111	FAN ASSY	1					
	21	51125 103	FAN	1					
	22	11102 151	HOLDER	1					
	23	31062 169	PRE-COAT LOCK BOLT	4					
	24	579L 0600	FLANGE NUT	4					
	25	61024 208	SPACER	1					
	26	91014 188	BLADE	1					
	27	31057 197	HEXAGON BOLT	2					
	28	31057 243	HEXAGON BOLT	4					
	29	61024 142	SPACER	3					
	30	71067 106	BRAKE ASSY	1					



PARTS LIST

P/L No. 46014-545-00

NOTE	REF. No.	PARTS No.	PARTS NAME	GRASS-CUTTING		2/2	RECOMM.(%) Lot.100	Dec. 25, 2006	REMARKS
				Q'TY	PRICE()				
	31								
	32								
	33	91097 101	UNIVERSAL JOINT	1					
	34	812V 2000	C-SNAP RING FOR SHAFT	1					
	35	717B 0418	PARALLEL PIN	1					
	36	64014 359	SHAFT	1					
	37	91049 133	CONNECTOR	1					
	38	68036 280	WASHER	2					
	39	816V 0800	E-SNAP RING	1					
	40	36065 438	COVER	1					
	41	342L 0616	FLANGE BOLT TAPPING	1					
	42	51116 149	HANDLE BRACKET(L)	1					
	43	51116 150	HANDLE BRACKET(R)	1					
	44	31057 255	HEXAGON BOLT	4					
	45	512L 0800	HEXAGON NUT	4					
	46								
	47								
	48								
	49								
	50								
	51								
	52	71008 369	GEAR CASE ASSY	1					
	53								
	54								
	55	733L 1000	SNAP PIN	1					
	56								
	57								
	58								
	59	122039	ENGINE:HONDA GXV160H2-SFL1-R280	1					
	60		WOOD RUFF KEY	1					