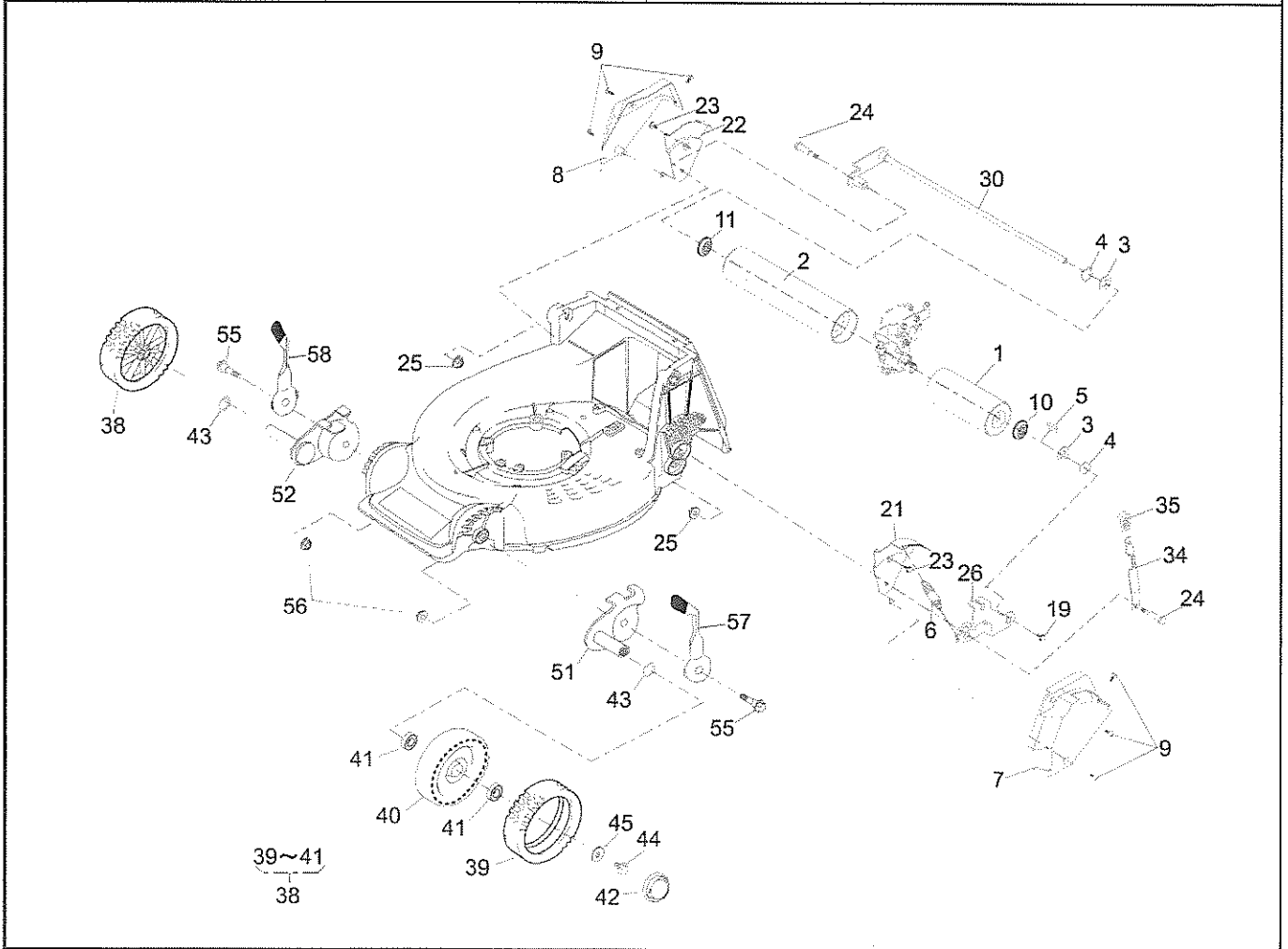


| | | | |
|--------------|----------------------|-----------------------|------------|
| ROLLER | Date : 27. Mar. 2015 | Revision : 00 | Page : 1/1 |
| Brand : KAAZ | Model : LM4861SXR | Product Code : 609311 | |



ROLLER
 Brand: KAAZ
 P.cd: 609311

Date: 27-Mar-2015
 Revision: 00

(A): LM4861SXR
 (B):
 (C):

| Ref.No | Parts.No | Parts.Name | Q'ty | | | Remarks | Recomm(%) Lot.100 |
|--------|--------------|---------------------|------|-----|-----|---------|----------------------|
| | | | (A) | (B) | (C) | | |
| 1 | 36099-138 | ROLLER | 1 | | | | 5 |
| 2 | 36099-139 | ROLLER | 1 | | | | 5 |
| 3 | 61024-118 | SPACER | 2 | | | | 3 |
| 4 | 664V0016 | WAVE SPRING WASHER | 2 | | | | 3 |
| 5 | 91020-131 | KEY (W04x4x14) | 1 | | | | 5 |
| 6 | 68013-265 | SPRING | 1 | | | | 3 |
| 7 | 36065-404 | COVER | 1 | | | | 3 |
| 8 | 36065-405 | COVER | 1 | | | | 3 |
| 9 | 475L0516 | (+)TAPPING SCREW | 6 | | | | 3 |
| 10 | 36073-103 | DUST SEAL | 1 | | | | 5 |
| 11 | 36073-103 | DUST SEAL | 1 | | | | 5 |
| 19 | 31057-282 | HEXAGON BOLT | 1 | | | | 3 |
| 21 | 11113-294 | STAY | 1 | | | | 3 |
| 22 | 11113-295 | STAY | 1 | | | | 3 |
| 23 | 342L0612 | FLANGE TAPPING BOLT | 2 | | | | 3 |
| 24 | 31057-200 | HEXAGON BOLT | 2 | | | | 3 |
| 25 | 569L0800 | FLANGE NYLON NUT | 2 | | | | 3 |
| 26 | 11142-110 | ADJUSTER | 1 | | | | 5 |
| 30 | 11142-121 | ADJUSTER | 1 | | | | 5 |
| 34 | 11150-104-09 | ADJUST LEVER | 1 | | | | 5 |
| 35 | 36061-121 | KNOB | 1 | | | | 5 |
| 38 | 71041-103 | WHEEL ASS'Y | 2 | | | | 5 |
| 39 | 91086-102 | TIRE | 2 | | | | 5 |
| 40 | 36107-102 | WHEEL | 2 | | | | 5 |
| 41 | 932L0696 | BEARING (PCB-0696) | 4 | | | | 5 |
| 42 | 36070-110 | CAP | 2 | | | | 3 |
| 43 | 664V0626 | WAVE SPRING WASHER | 2 | | | | 3 |
| 44 | 31057-181 | HEXAGON BOLT | 2 | | | | 3 |
| 45 | 68036-101 | WASHER (9x25x2.3) | 2 | | | | 3 |
| 51 | 11142-123 | ADJUSTER | 1 | | | | 10 |
| 52 | 11142-124 | ADJUSTER | 1 | | | | 10 |
| 55 | 31057-260 | HEXAGON BOLT | 2 | | | | 10 |
| 56 | 569L0800 | FLANGE NYLON NUT | 2 | | | | 10 |
| 57 | 11150-115-09 | ADJUST LEVER(L) | 1 | | | | 5 |
| 58 | 11150-116-09 | ADJUST LEVER(R) | 1 | | | | 5 |
| | | | | | | | |
| | | | | | | | |