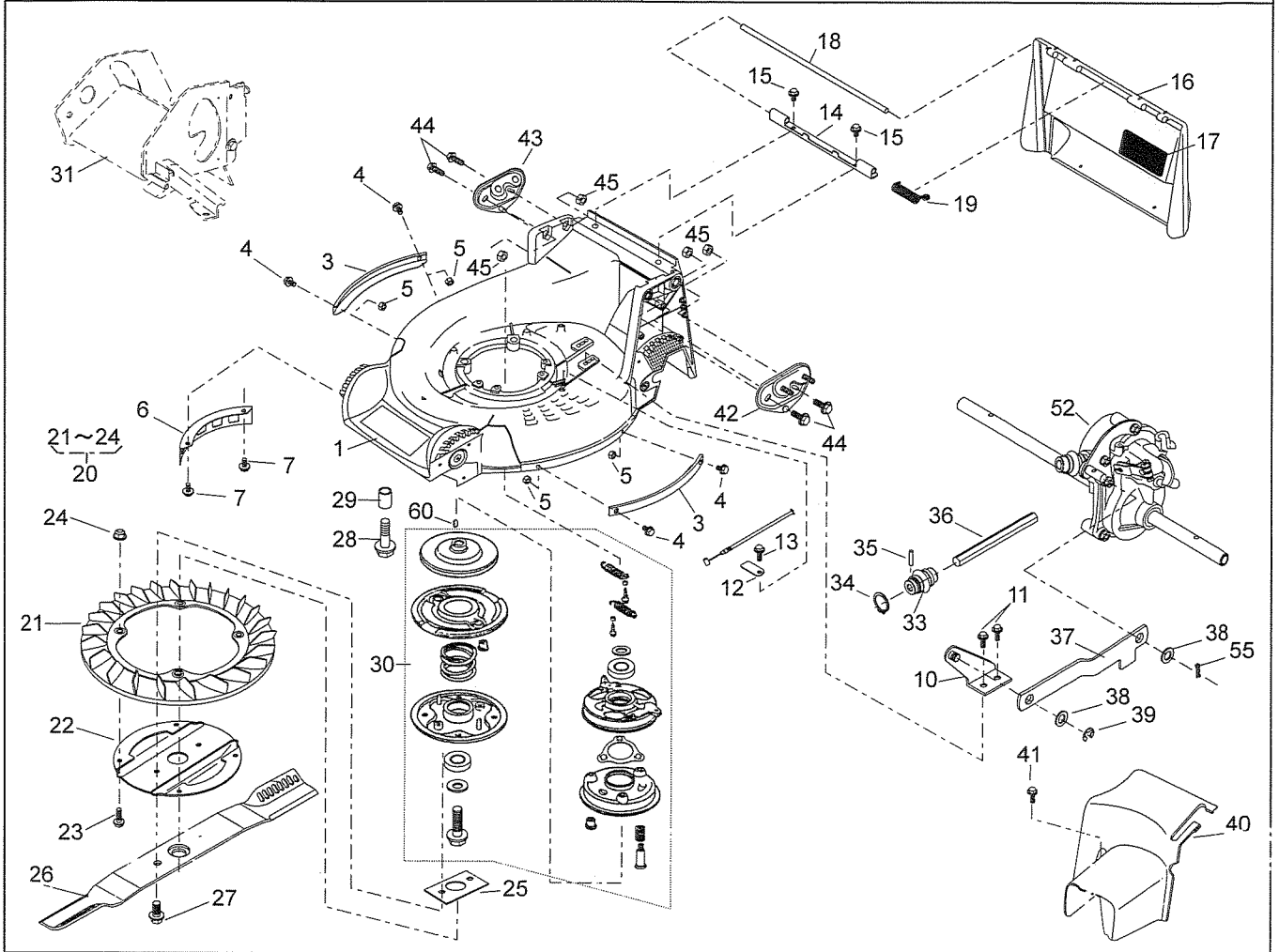


GRASS-CUTTING	Date : 01. Jan, 2010	Revision : 00	Page : 1/1
Brand : KAAZ	Model : LM5360HXA	Product Code : 620157	



GRASS-CUTTING

Brand: KAAZ
P.cd: 620157Date: 1-Jan-2010
Revision: 00

(A): LM5360HXA

(B):

(C):

Ref.No	Parts.No	Parts.Name	Q'ty			Remarks	Recomm(%) Lot.100
			(A)	(B)	(C)		
1	51043-151-42	HOUSING	1				3
3	51090-117-09	PROTECTOR	2				5
4	335L0616	FLANGE BOLT	4				3
5	512L0600	HEXAGON NUT	4				3
6	36065-180	COVER	1				3
7	342L0612	FLANGE TAPPING BOLT	2				3
10	11006-155	STAY C.P.	1				5
11	342L0612	FLANGE TAPPING BOLT	2				3
12	11113-407	STAY	1				3
13	342L0612	FLANGE TAPPING BOLT	1				3
14	11113-292	STAY	1				3
15	342L0612	FLANGE TAPPING BOLT	2				3
16	36068-196-46	GUARD	1				3
17	36080-149	RUBBER SHEET	1				3
18	64014-324	SHAFT	1				3
19	68013-336	SPRING	1				3
20	71082-111	FAN ASS'Y	1				-
21	51125-103	FAN	1				5
22	11102-151	HOLDER	1				5
23	31062-169	PRE-COAT LOCK BOLT	4				5
24	579L0600	FLANGE NUT	4				5
25	61024-208	SPACER	1				3
26	91014-188	BLADE	1				15
27	31057-197	HEXAGON BOLT	2				15
28	31057-243	HEXAGON BOLT	4				3
29	61024-142	SPACER	3				3
30	71067-106	BRAKE A'Y(BBC530-KAZ	1				-
33	91097-101	UNIVERSAL JOINT	1				3
34	812V2000	C-SNAP RING	1				1
35	717B0418	PARALLEL PIN	1				5
36	64014-358	SHAFT	1				3
37	91049-135	CONNECTOR	1				5
38	68036-280	WASHER (10.5x18x1.6)	2				3
39	816V0800	E-SNAP RING	1				5
40	36065-438	COVER	1				3
41	342L0616	FLANGE TAPPING BOLT	1				3
42	51116-149	HANDLE BRACKET	1				3
43	51116-150	HANDLE BRACKET	1				3
44	31057-255	HEXAGON BOLT (M8x25)	4				3
45	512L0800	HEXAGON NUT	4				3
52	71008-275	GEAR CASE ASS'Y	1				-
55	733L1000	SNAP PIN	1				5
60	94401-16150	WOODRUFF KEY (16x15)	1				-