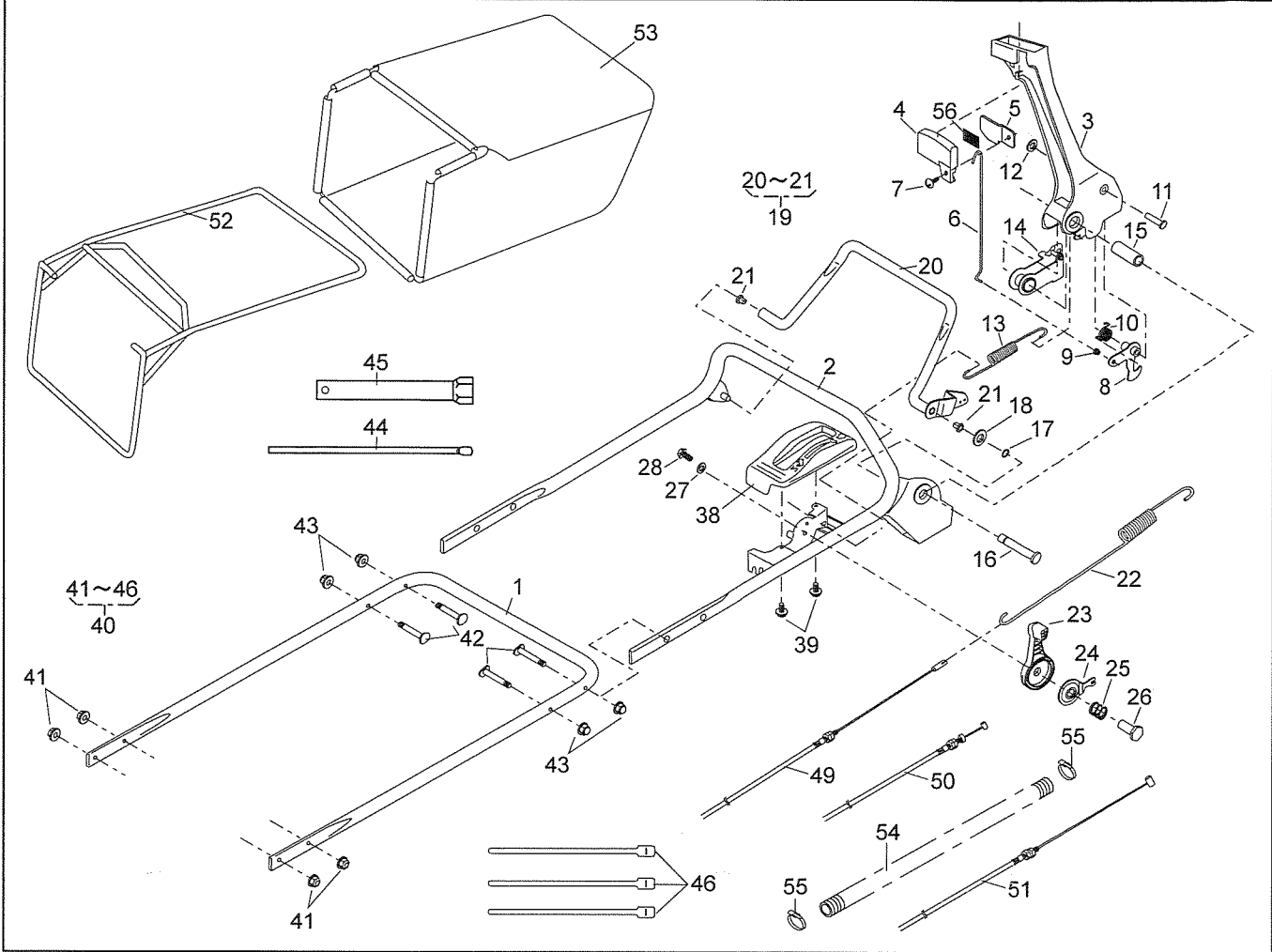


HANDLE-ROLLER	Date : 01. Apr, 2010	Revision : 01	Page : 1/1
Brand : KAAZ	Model : LM5360HXR	Product Code : 620356	



## HANDLE-ROLLER

(A): LM5360HXR

Brand: KAAZ

Date: 1-Apr-2010

(B):

P.cd: 620356

Revision: 01

(C):

Ref.No	Parts.No	Parts.Name	Q'ty			Remarks	Recomm(%) Lot.100
			(A)	(B)	(C)		
1	51027-268-103	HANDLE	1				
2	51027-269-103	HANDLE	1				
3	11095-172	LEVER	1				
4	36110-102	BUTTON	1				
5	11049-109	SLIDE PLATE	1				
6	64014-336	SHAFT	1				
7	376L0612	(+)TRUSS SCREW	1				
8	71203-135	ARM C.P.	1				
9	76007-183	BUSH	1				
10	68013-371	SPRING	1				
11	31056-127	GIB-HEADED PIN	1				
12	576V0600	PUSH NUT	1				
13	68013-392	SPRING	1				
14	11109-111	LINK	1				
15	61023-190	SLEEVE	1				
16	64014-337	SHAFT	1				
17	812V0800	C-SNAP RING	1				
18	613L0800	PLAIN WASHER	1				
19	71161-114-09	LEVER ASS'Y	1				
21	76007-131	BUSH	2				
22	68013-382	SPRING	1				
23	91010-169	THROTTLE LEVER	1				
24	61003-113	THRUST PLATE	1				
25	68013-356	SPRING	1				
26	31058-168	HEXAGON NUT	1				
27	68036-125	WASHER (6.5x18x1.6)	1				
28	318L0612	(+)HEX. BOLT(W/SW)	1				
38	71900-797	COVER ASS'Y	1				
39	470L0514	(+)TAPPING SCREW	2				
40	71906-145	BOLT SET	1				
41	569L0800	FLANGE NYLON NUT	4				
42	31057-256	HEXAGON BOLT	4				
43	583L0800	FLANGE CAP NUT	4				
44	66008-103	PLUG BOX BAR (8x200)	1				
45	66006-125	BOX SPANNER	1				
46	68028-118	WIRE BAND (GT280)	3				
49	91003-165	CONTROL CABLE	1				
50	91001-329	THROTTLE WIRE	1				
51	91003-169	CONTROL CABLE	1				
52	11062-178	FRAME C.P.	1				
53	36098-132	GRASS BAG C.P.	1				
54	41003-201	TUBE (15.6x800L)	1				
55	68028-119	WIRE BAND (SHT18R-W)	2				
56	36080-156	RUBBER SHEET	1				