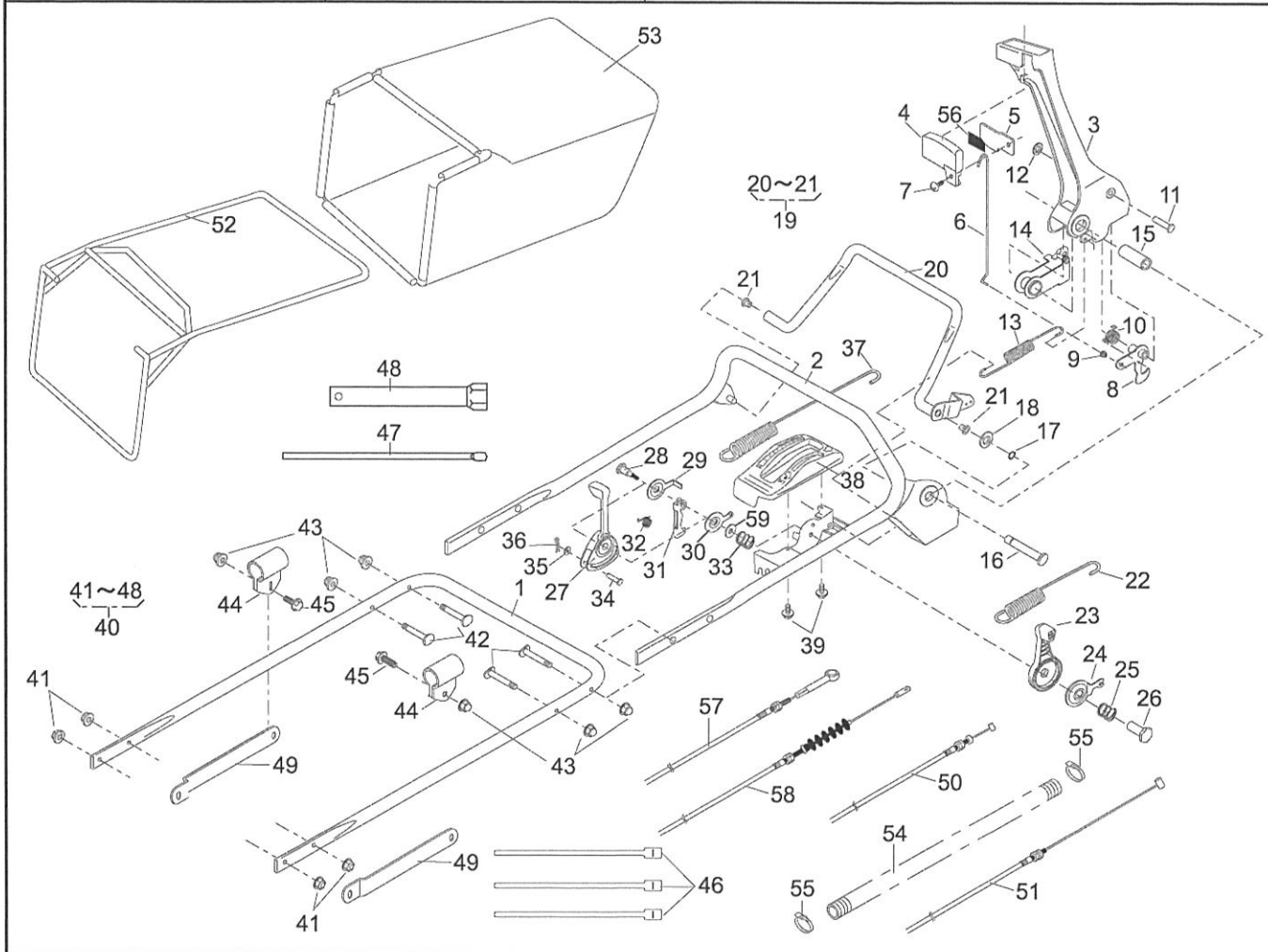


HANDLE-HST-PRO	Date : 05. Nov, 2018	Revision : 00	Page : 1/1
Brand : KAAZ	Model : LM5360HXAR-HST-PRO	Product Code : 620401	



HANDLE-HST-PRO

Brand: KAAZ  
P.cd: 620401Date: 5-Nov-2018  
Revision: 00(A): LM5360HXAR-HST-PRO  
(B):  
(C):

Ref.No	Parts.No	Parts.Name	Q'ty			Remarks	Recomm(%) Lot.100
			(A)	(B)	(C)		
1	51027-268-103	HANDLE	1				3
2	51027-269-103	HANDLE	1				3
3	11095-172	LEVER	1				3
4	36110-102	BUTTON	1				5
5	11049-109	SLIDE PLATE	1				5
6	64014-336	SHAFT	1				5
7	376L0612	(+)TRUSS SCREW	1				5
8	71203-135	ARM C.P.	1				3
9	76007-183	BUSH	1				3
10	68013-371	SPRING	1				3
11	31056-127	GIB-HEADED PIN	1				3
12	576V0600	PUSH NUT	1				3
13	68013-392	SPRING	1				3
14	11109-111	LINK	1				3
15	61023-190	SLEEVE	1				3
16	64014-337	SHAFT	1				3
17	812V0800	C-SNAP RING	1				3
18	613L0800	PLAIN WASHER	1				3
19	71161-114-09	LEVER ASS'Y	1				5
21	76007-131	BUSH	2				5
22	68013-391	SPRING	1				5
23	91010-169	THROTTLE LEVER	1				3
24	61003-113	THRUST PLATE	1				3
25	68013-356	SPRING	1				3
26	31058-168	HEXAGON NUT	1				3
27	11095-162	LEVER	1				3
28	31057-249	HEXAGON BOLT	1				3
29	61003-118	THRUST PLATE	1				3
30	11049-108	SLIDE PLATE	1				3
31	11109-112	LINK	1				5
32	68013-369	SPRING	1				3
33	68013-356	SPRING	1				3
34	31056-126	GIB-HEADED PIN	1				5
35	613L0600	PLAIN WASHER	1				5
36	733L0600	SNAP PIN	1				5
37	68013-375	SPRING	1				3
38	71900-811	COVER ASS'Y	1				3
39	470L0514	(+)TAPPING SCREW	2				3
40	71906-556	BOLT SET	1				3
41	569L0800	FLANGE NYLON NUT	4				3
42	31057-256	HEXAGON BOLT	4				3
43	583L0800	FLANGE CAP NUT	6				3
44	11012-132	HANGER BAND	2				5
45	31057-181	HEXAGON BOLT	2				3
46	68028-118	WIRE BAND (GT280)	3				5
47	66008-103	PLUG BOX BAR (8x200)	1				1
48	66006-125	BOX SPANNER	1				1
49	71900-846	BAR SET	1				3
50	91001-329	THROTTLE WIRE	1				5
51	91003-169	CONTROL CABLE	1				5
52	11062-178	FRAME C.P.	1				5
53	36098-177	GRASS BAG C.P.	1				10
54	41003-201	TUBE (15.6x800L)	1				5
55	68028-119	WIRE BAND (SHT18R-W)	2				5
56	36080-156	RUBBER SHEET	1				5
57	91003-198	CONTROL CABLE	1				5
58	91003-199	CONTROL CABLE	1				5
59	61003-109	THRUST PLATE	1				3