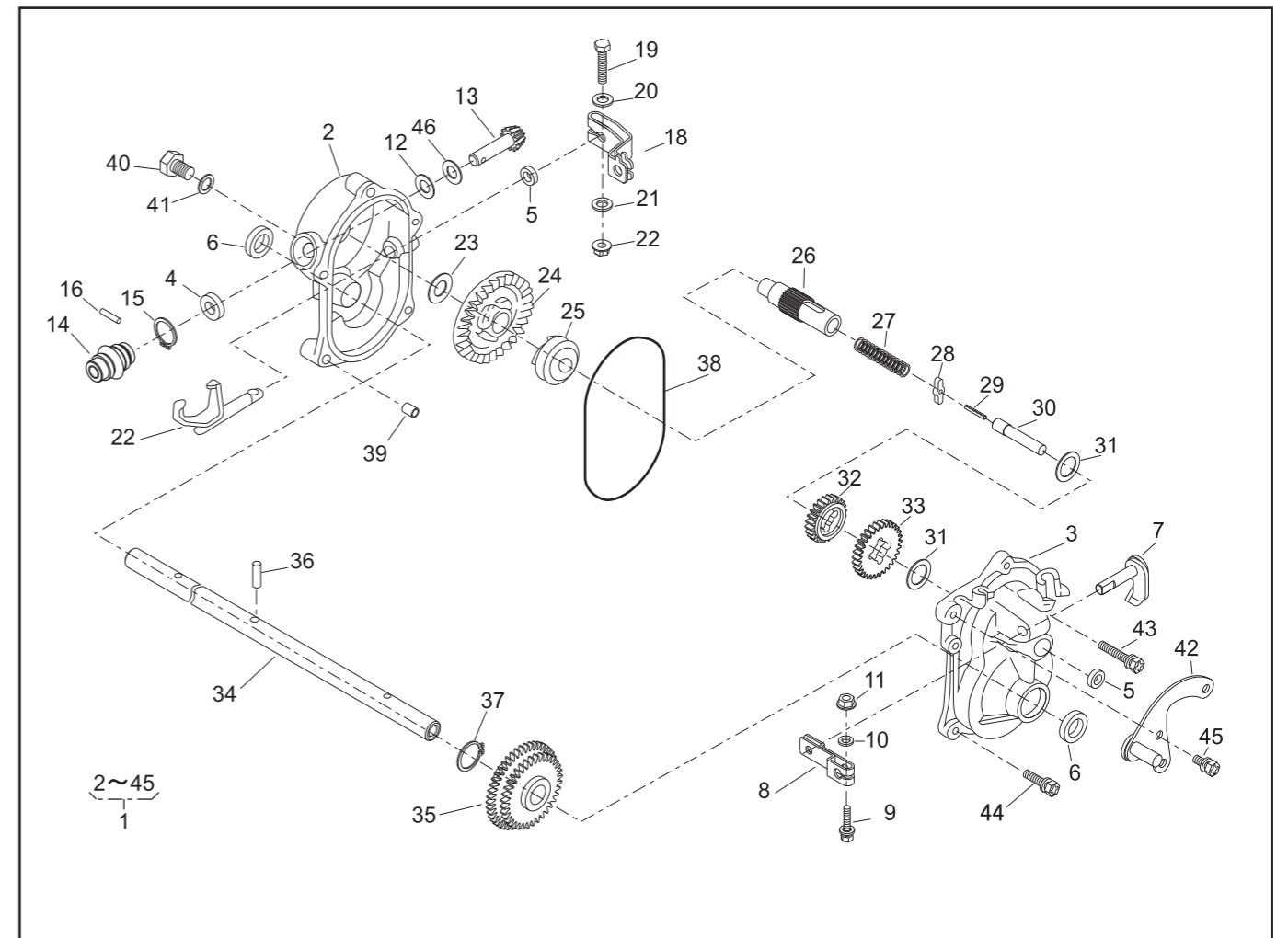


PARTS LIST
GEAR CASE ASSY (71008-343)

46014-263

REF. No.	PARTS No.	PARTS NAME	GEAR CASE		PRICE()	1/2		REMARKS
			Q'TY INCLUDING			RECOMM.(%) Lot.100	Feb.07,2005	
1	71008 343	GEAR CASE ASSY	1			-		
2	51001 195	GEAR CASE	1			3		
3	51001 196	GEAR CASE	1			3		
4	61002 161	OIL SEAL	1			5		SD 10 20 5
5	61002 162	OIL SEAL	2			5		SD 8 14 4
6	61002 163	OIL SEAL	2			5		SD 15 24 5
7	64024 104	THIFTER SHAFT	1			3		
8	11104 119	ARM	1			3		
9	320L 0525	HEXAGON BOLT(PW)	1			3		M5 × 25
10	611L 0500	PLAIN WASHER	1			3		M5
11	571L 0500	FLANGE NUT	1			3		M5
12	61003 109	THRUST PLATE	1			5		
13	78003 130	PINION	1			3		
14	91097 101	UNIVERSAL JOINT	1			3		
15	812V 2000	C-SNAP RING FOR SHAFT	1			1		φ 20
16	717B 0418	PARALLEL PIN	1			3		φ 4 × 18
17	11097 106	SHIFTER FORK	1			3		
18	11104 137	ARM	1			3		
19	311M 0630	(+)HEXAGON BOLT	1			3		M6 × 30
20	611L 0600	PLAIN WASHER	1			3		M6
21	613L 0600	PLAIN WASHER	1			3		M6
22	571L 0600	FLANGE NUT	1			3		M6
23	61024 117	SPACER	1			5		
24	78001 162	BEVEL GEAR	1			3		
25	11129 107	CLUTCH	1			3		
26	64014 236	SHAFT	1			3		
27	68013 262	SPRING	1			3		



PARTS LIST
GEAR CASE ASSY (71008-343)

46014-263

REF. No.	PARTS No.	PARTS NAME	GEAR CASE		PRICE()	2/2		REMARKS
			Q'TY INCLUDING			RECOMM.(%) Lot.100	Feb.07,2005	
28	31034 171	PIN	1			3		
29	736U 0320	SPRING PIN	1			3		
30	64014 235	SHAFT	1			3		
31	61024 118	SPACER	2			3		
32	78004 254	GEAR	1			3		
33	78004 255	GEAR	1			3		
34	64014 163	SHAFT	1			3		
35	78012 134	GEAR C.P.	1			3		
36	31034 150	PIN	1			3		
37	812V 2200	C-SNAP RING FOR SHAFT	1			1		φ 22
38	214B 11000	O-RING	1			5		S110
39	11083 201	COLLAR	2			5		
40	31057 126	HEXAGON BOLT	1			3		
41	68001 110	FIBER WASHER	1			3		
42	11006 101	STAY C.P.	1			5		
43	315L 0625	(+)HEXAGON BOLT(SW,PW)	3			3		M6 × 25
44	315L 0635	(+)HEXAGON BOLT(SW,PW)	2			3		M6 × 35
45	318L 0612	(+)HEXAGON BOLT(SW)	1			3		M6 × 12
46	68007 132	SHIM	0~2			3		