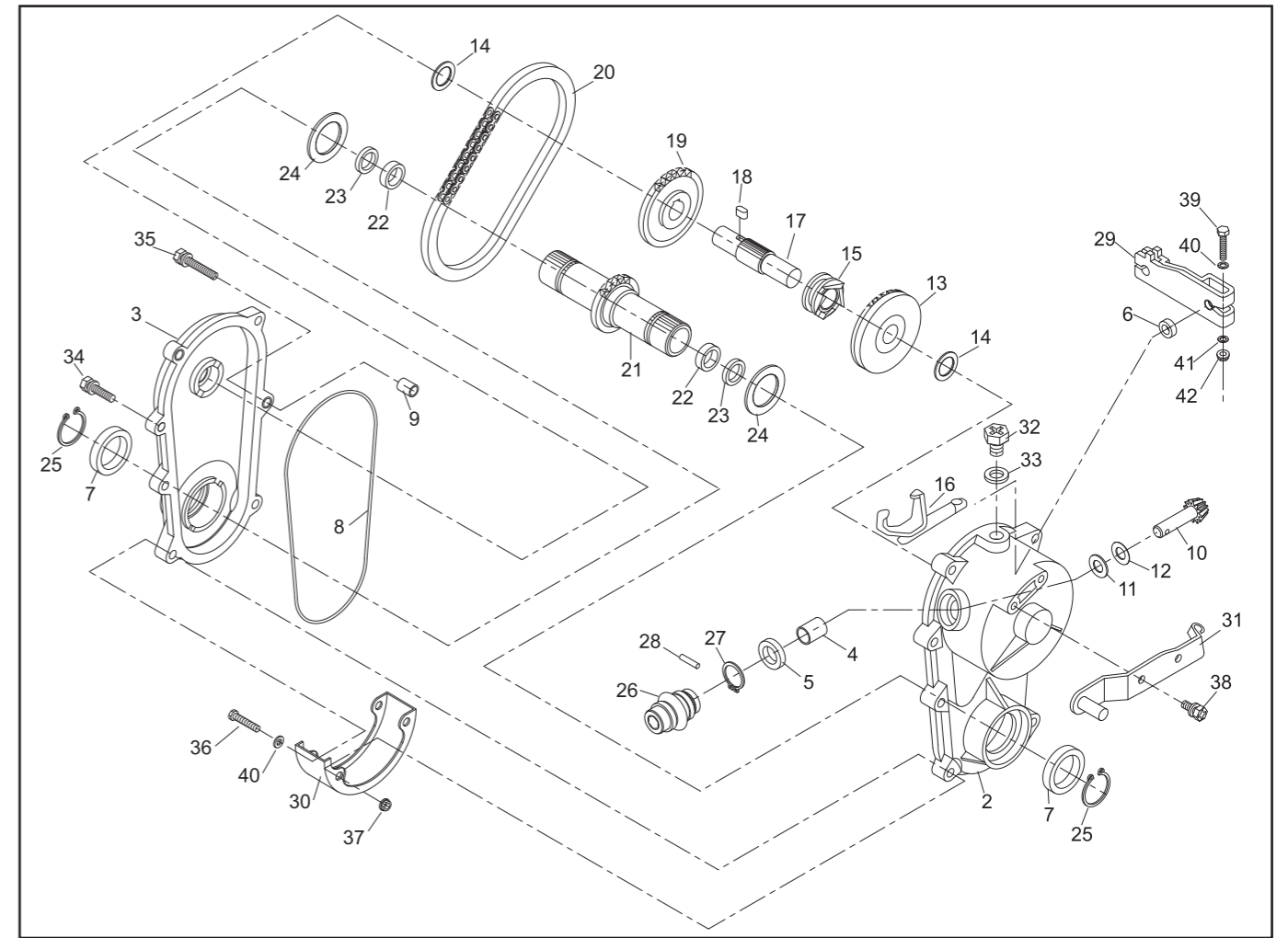


**PARTS LIST**  
GEAR CASE ASSY (71008-369)

46014-265

REF. No.	PARTS No.	PARTS NAME	GEAR CASE		1/2		Feb.07,2005	
			Q'TY INCLUDING	PRICE( )	RECOMM.(%) Lot.100	REMARKS		
1	71008 369	GEAR CASE ASSY	1		-			
2	51001 279	GEAR CASE(L)	1		3			
3	51001 280	GEAR CASE(R)	1		3			
4	76007 167	BUSH	1		3			
5	61002 161	OIL SEAL	1		5		SD 10 20 5	
6	61002 162	OIL SEAL	1		5		SD 8 14 4	
7	61002 188	OIL SEAL	2		5		SD 28 38 6	
8	214B 1350	O-RING	1		5			
9	11083 201	COLLAR	2		3			
10	78003 130	PINION	1		5			
11	61003 109	THRUST PLATE	1		3			
12	68007 132	SIM	0-2		5			
13	78001 162	BEVEL GEAR	1		3			
14	61024 118	SPACER	2		3		$\phi 16.2 \times \phi 24 \times t1$	
15	11129 107	CLUTCH	1		3			
16	11097 106	SHIFTER FORK	1		5			
17	64014 242	SHAFT	1		3			
18	91020 147	KEY	1		3			
19	36112 115	SPROCKET	1		3			
20	91074 107	CHAIN	1		3			
21	64014 243	SHAFT	1		3			
22	927B 1512	NEEDLE BEARING	2		3		FJ1512	
23	61002 189	OIL SEAL	2		5		SO 15 21 3	
24	61024 171	SPACER	2		3		$\phi 28.2 \times \phi 36 \times t1$	
25	812V 2800	C-SNAP RING FOR SHAFT	2		3		$\phi 28$	



**PARTS LIST**  
GEAR CASE ASSY (71008-369)

46014-265

REF. No.	PARTS No.	PARTS NAME	GEAR CASE		2/2		Feb.07,2005	
			Q'TY INCLUDING	PRICE( )	RECOMM.(%) Lot.100	REMARKS		
26	91097 101	UNIVERSAL JOINT	1		3			
27	812V 2000	C-SNAP RING FOR SHAFT	1		3		$\phi 20$	
28	717B 0418	PARALLEL PIN	1		3		$\phi 4 \times 18$	
29	11104 169	ARM	1		3			
30	36065 311	COVER	1		3			
31	11006 148	STAY C.P.	1		5			
32	31057 126	HEXAGON BOLT	1		3			
33	68001 110	FIBER WASHER	1		3			
34	315L 0625	(+)HEXAGON BOLT(SW,PW)	3		3		M6 x 25	
35	315L 0630	(+)HEXAGON BOLT(SW,PW)	2		3		M6 x 30	
36	322L 0635	(+)HEXAGON BOLT	2		3		M6 x 35	
37	580L 0600	FLANGE LOCK NUT	2		3		M6	
38	315L 0616	(+)HEXAGON BOLT(SW,PW)	2		3		M6 x 16	
39	311M 0630	(+)HEXAGON BOLT	1		3		M6 x 30 8T	
40	611L 0600	PLAIN WASHER	3		3		M6	
41	613L 0600	PLAIN WASHER	1		3		M6	
42	571L 0600	FLANGE NUT	1		3		M6	