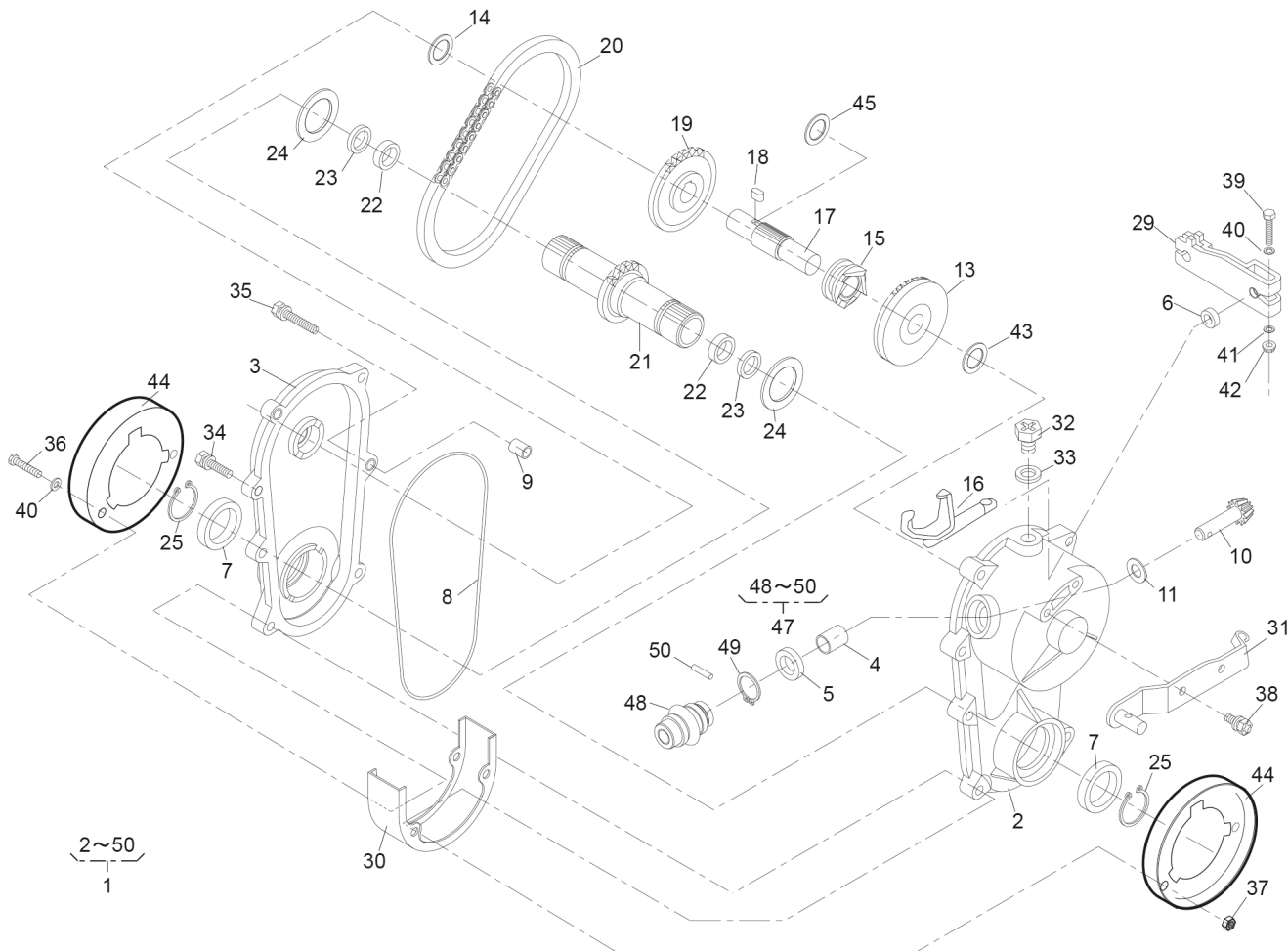


Product code : 71008-469

Model :



## GEAR CASE ASS'Y

Brand:

Date: 4-Feb-2022

(A):

P.cd: 71008-469

Revision: 01

(B):

(C):

Ref.No	Parts.No	Parts.Name	Q'ty			Remarks	Recomm(%) Lot.100
			(A)	(B)	(C)		
1	71008-469	GEAR CASE ASS'Y	1				-
2	51001-279	GEAR CASE	1				3
3	51001-280	GEAR CASE	1				3
4	76007-167	BUSH	1				3
5	61002-161	OIL SEAL (SD10205)	1				5
6	61002-162	OIL SEAL (SD08144)	1				5
7	61002-188	OIL SEAL (SD28386)	2				5
8	214B1350	O-RING S-135	1				5
9	11083-201	COLLAR	2				3
10	78003-136	PINION	1				5
11	61003-109	THRUST PLATE	1				3
13	78001-189	BEVEL GEAR	1				3
14	61024-118	SPACER	1			φ16.2xφ24x11	3
15	11129-118	CLUTCH	1				3
16	11097-106	SHIFTER FORK	1				5
17	64014-408	SHAFT	1				3
18	91020-165	KEY	1				3
19	36112-115	SPROCKET	1				3
20	91074-107	CHAIN	1				3
21	64014-243	SHAFT	1				3
22	927B1512	BEARING (FJ-1512)	2				3
23	61002-208	OIL SEAL	2				5
24	61024-171	SPACER	2			φ28.2xφ36x11	3
25	812V2800	C-SNAP RING	2				3
29	11104-169	ARM	1				3
30	36065-507	COVER	1				3
31	11006-148	STAY C.P.	1				5
32	31057-262	BOLT	1				3
33	68001-110	FIBER WASHER	1				3
34	315L0625	HEXAGON BOLT (W/SW,PW)	3				3
35	315L0630	HEXAGON BOLT (W/SW,PW)	2				3
36	322L0640	(+)HEXAGON BOLT	2				3
37	572L0600	NYLON NUT	2				3
38	315L0616	HEXAGON BOLT (W/SW,PW)	2				3
39	311M0630	HEXAGON BOLT	1				3
40	611L0600	PLAIN WASHER	3				3
41	613L0600	PLAIN WASHER	1				3
42	571L0600	FLANGE NUT	1				3
43	61003-123	THRUST PLATE	1				3
44	11004-145	GRASS COVER	2				3
45	68036-328	WASHER (16.1x21xt1.5)	1				3
47	91097-101	UNIVERSAL JOINT	1				3
49	812V2000	C-SNAP RING	1				3
50	717B0418	PARALLEL PIN	1				3