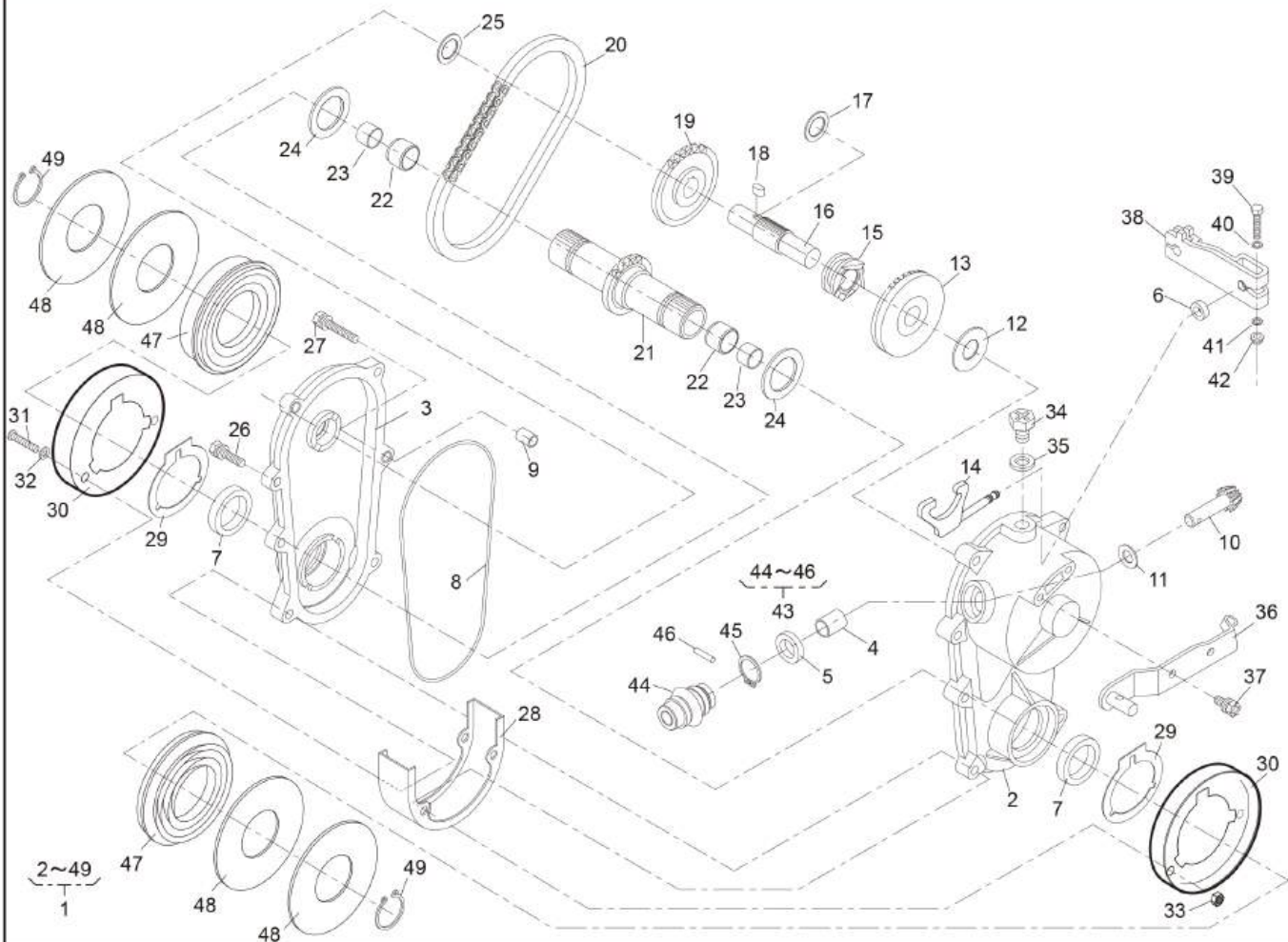


Product code : 71008-501

Model :



GEAR CASE ASS'Y

Brand:

Date: 1-Mar-2024

P.cd: 71008-501

Revision: 00

Ref.No	Parts.No	Parts.Name	Q'ty	Remarks
1	71008-501	GEAR CASE ASS'Y	1	
2	51001-279	GEAR CASE	1	
3	51001-280	GEAR CASE	1	
4	76007-167	BUSH	1	
5	61002-161	OIL SEAL (SD10205)	1	
6	61002-162	OIL SEAL (SD08144)	1	
7	61002-188	OIL SEAL (SD28386)	2	
8	214B1350	O-RING (S-135)	1	
9	11083-201	COLLAR	2	
10	78003-136	PINION	1	
11	61003-109	THRUST PLATE	1	φ10.1×φ19×t1
12	61003-123	THRUST PLATE	1	φ16.2×φ36×t1
13	78001-189	BEVEL GEAR	1	
14	11097-119	SHIFTER FORK	1	
15	11129-118	CLUTCH	1	
16	64014-408	SHAFT	1	
17	68036-328	WASHER (16.1x21xt1.5)	1	
18	91020-165	KEY	1	
19	36112-153	SPROCKET	1	
20	91074-107	CHAIN	1	
21	64014-405	SHAFT	1	
22	61023-221	SLEEVE	2	φ17×φ21×L15
23	76007-221	BUSH	2	φ15×φ17×L15
24	61024-171	SPACER	2	φ28.2×φ36×t1
25	61024-118	SPACER	1	φ16.2×φ24×t1
26	315L0625	HEXAGON BOLT (W/SW,PW)	3	
27	315L0630	HEXAGON BOLT (W/SW,PW)	2	
28	36065-507	COVER	1	
29	36080-186	RUBBER SHEET	2	
30	11004-145	GRASS COVER	2	
31	427L0635	SOCKET SCREW	2	
32	611L0600	PLAIN WASHER	2	
33	562L0600	U-HEXAGON NUT	2	
34	31057-262	BOLT	1	
35	68001-110	FIBER WASHER	1	
36	11006-148	STAY C.P.	1	
37	315L0616	HEXAGON BOLT (W/SW,PW)	2	
38	11104-169	ARM	1	
39	311M0630	HEXAGON BOLT	1	
40	611L0600	PLAIN WASHER	1	
41	613L0600	PLAIN WASHER	1	
42	571L0600	FLANGE NUT	1	
43	91097-101	UNIVERSAL JOINT	1	
45	812V2000	C-SNAP RING	1	
46	717B0418	PARALLEL PIN	1	
47	61019-257	PACKING	2	
48	61003-131	THRUST PLATE	4	φ28.5xφ82x t 1.0
49	812V2800	C-SNAP RING	2	