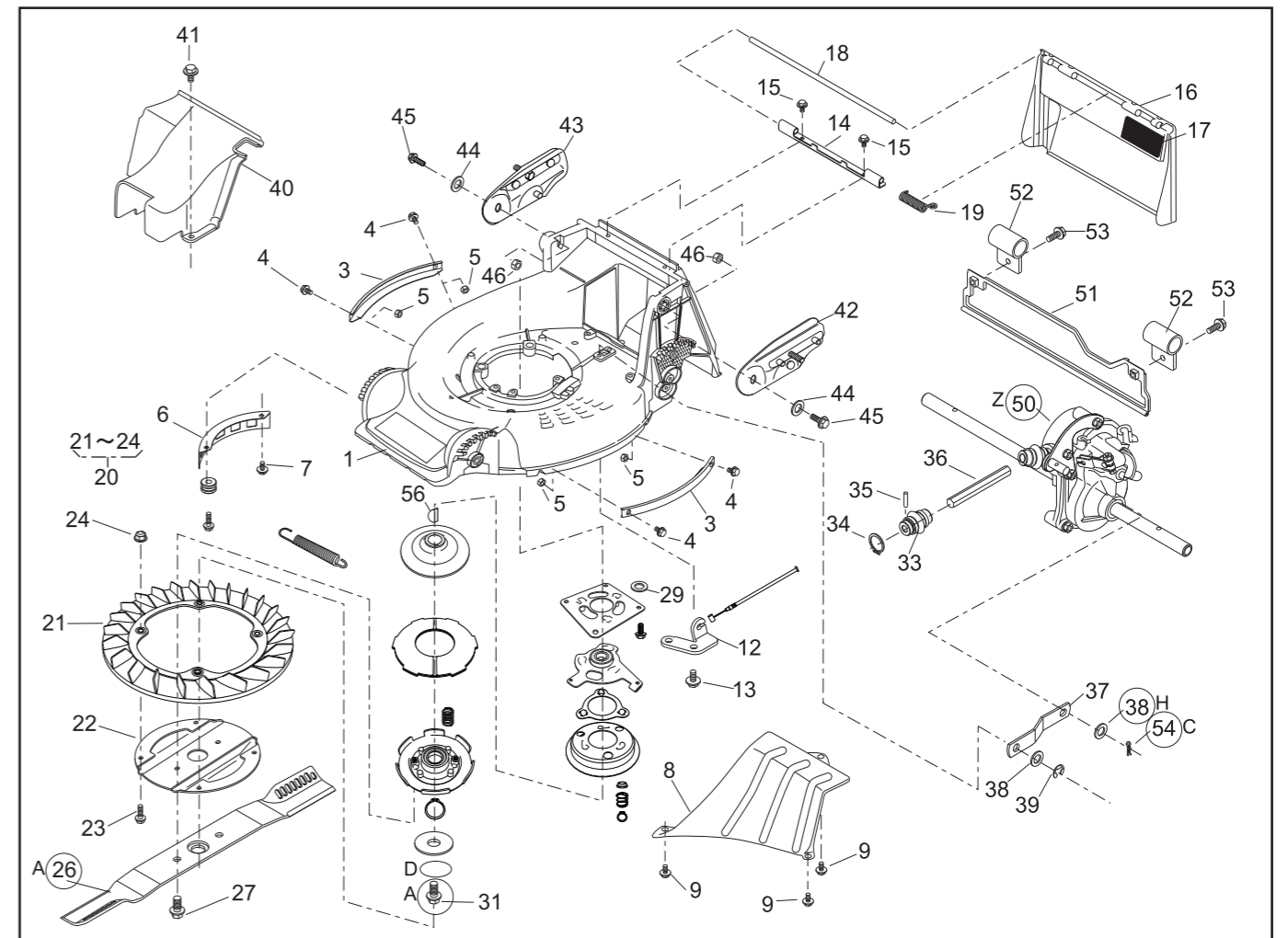


### PARTS LIST

P/L No. 46014-372-02

NOTE	REF. No.	PARTS No.	PARTS NAME	GRASS-CUTTING		1/2	Dec. 26. 2006	REMARKS
				Q'TY INCLUDING	PRICE( )			
	1	51043 149 42	HOUSING	1				
	2							
	3	51090 128 09	PROTECTOR	2				
	4	335L 0616	FLANGE BOLT	4				
	5	512L 0600	HEXAGON NUT	4				
	6	36065 180	COVER	1				
	7	342L 0612	FLANGE BOLT TAPPING	1				
	8	36065 400	COVER	1				
	9	342L 0612	FLANGE BOLT TAPPING	3				
	10							
	11							
	12	51002 118	WIRE HOLDER	1				
	13	342L 0612	FLANGE BOLT TAPPING	2				
	14	11113 292	STAY	1				
	15	342L 0612	FLANGE BOLT TAPPING	2				
	16	36068 188 46	GUARD	1				
	17	36080 149	RUBBER SHEET	1				
	18	64014 324	SHAFT	1				
	19	68013 336	SPRING	1				
	20	71082 111	FAN ASSY	1				
	21	51125 103	FAN	1				
	22	11102 151	HOLDER	1				
	23	31062 169	PRE-COAT LOCK BOLT	4				
	24	579L 0600	FLANGE NUT	4				
	25							
A	26	91014 190	BLADE	1				
	27	335M 1020	FLANGE BOLT	2				
	28							



### PARTS LIST

P/L No. 46014-372-02

NOTE	REF. No.	PARTS No.	PARTS NAME	GRASS-CUTTING		2/2	Dec. 26. 2006	REMARKS
				Q'TY INCLUDING	PRICE( )			
	29	68036 292	WASHER	4				
	30	71067 116	BRAKE ASSY	1				
A	31	31057 272	HEXAGON BOLT	1				
D	32							
	33	91097 101	UNIVERSAL JOINT	1				
	34	812V 2000	C-SNAP RING FOR SHAFT	1				
	35	717B 0418	PARALLEL PIN	1				
	36	64014 372	SHAFT	1				
	37	91049 136	CONNECTOR	1				
H	38	68036 280	WASHER	2				
	39	816V 0800	E-SNAP RING	1				
	40	36065 455	COVER	1				
	41	335L 0616	FLANGE BOLT	1				
	42	51116 145	HANDLE BRACKET(L)	1				
	43	51116 146	HANDLE BRACKET(R)	1				
	44	68036 101	WASHER	2				
	45	312M 0830	BOLT	2				
	46	512L 0800	HEXAGON NUT	2				
	47							
	48							
	49							
Z	50	71008 326	GEAR CASE ASSY	1				
	51	36046 122	SAFETY GUARD	1				
	52	11012 126	HANGER BAND	2				
	53	335L 0616	FLANGE BOLT	2				
C	54	733L 1000	SNAP PIN	1				
	55	122048	ENGINE:KAWASAKI FJ151V-AC50	1				
	56	96007 183	KEY	1				