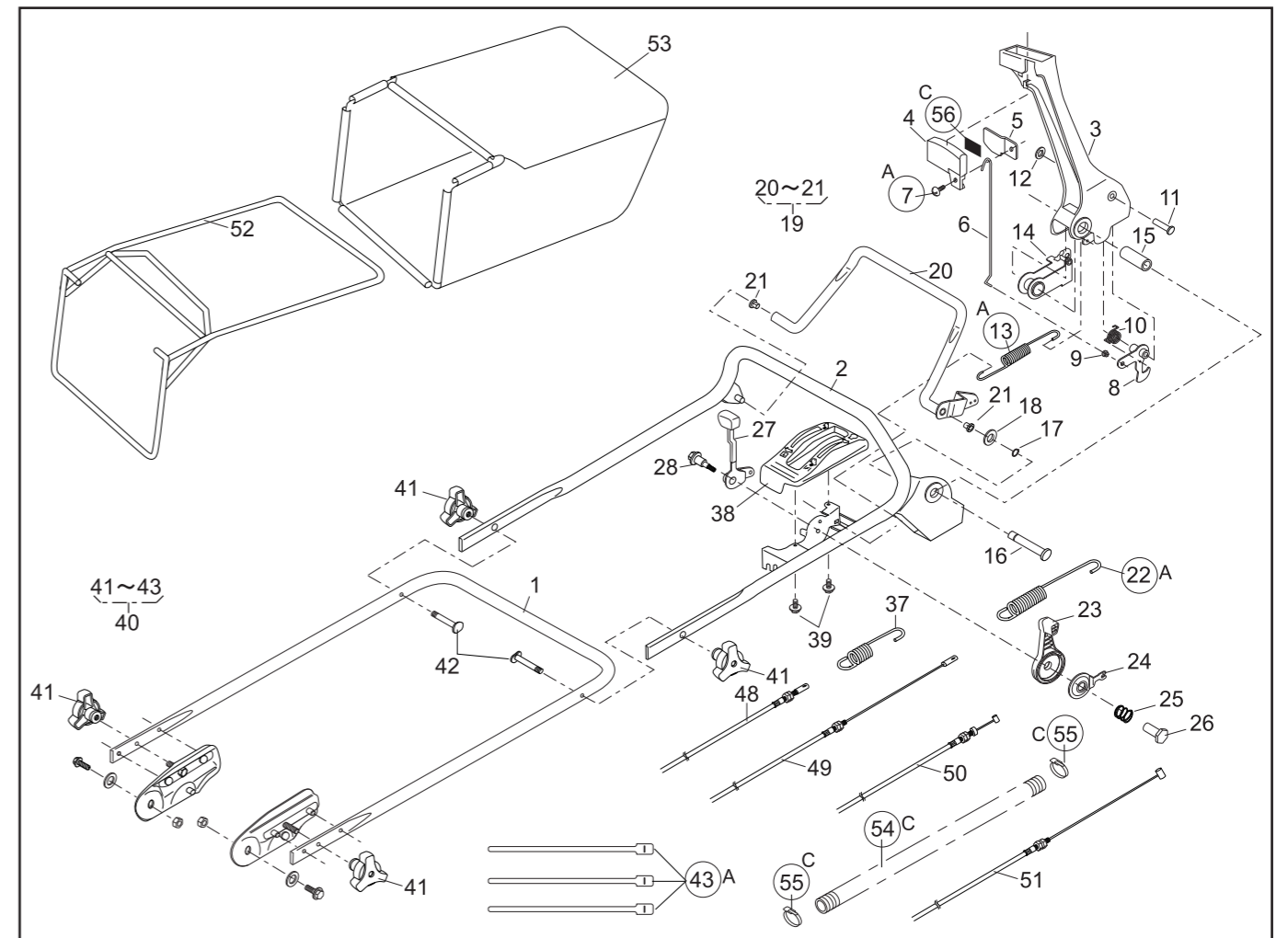


PARTS LIST

P/L No. 46014-377-02

NOTE	REF. No.	PARTS No.	PARTS NAME	HANDLE		1/2	Dec. 26. 2006	REMARKS
				Q'TY INCLUDING	PRICE()			
	1	51027 146	HANDLE	1				
	2	51027 255	HANDLE	1				
	3	11095 172	LEVER(BBC)	1				
	4	36110 102	BUTTON	1				
	5	11049 109	SLIDE PLATE	1				
	6	64014 336	SHAFT	1				
A	7	376L 0612	(+)TAPPING SCREW	1				
	8	71203 135	ARM C.P.	1				
	9	76007 183	BUSH	1				
	10	68013 371	SPRING	1				
	11	31056 127	GIB-HEADED PIN	1				
	12	576V 0600	PUSH NUT	1				
A	13	68013 392	SPRING	1				
	14	11109 111	LINK	1				
	15	61023 190	SLEEVE	1				
	16	64014 337	SHAFT	1				
	17	812V 0800	C-SNAP RING FOR SHAFT	1				
	18	613L 0800	WASHER	1				
	19	71161 114 09	LEVER ASSY	1				
	20		LEVER	1				
	21	76007 131	BUSH	2				
A	22	68013 391	SPRING	1				
	23	91010 194	THROTTLE LEVER(FJ151V)	1				
	24	61003 113	THRUST PLATE	1				
	25	68013 356	SPRING	1				
	26	31058 168	NUT	1				
	27	11095 117	LEVER	1				
	28	31062 109	PRE-COAT LOCK BOLT	1				



PARTS LIST

P/L No. 46014-377-02

NOTE	REF. No.	PARTS No.	PARTS NAME	HANDLE		2/2	Dec. 26. 2006	REMARKS
				Q'TY INCLUDING	PRICE()			
	29							
	30							
	31							
	32							
	33							
	34							
	35							
	36							
	37	68013 161	SPRING	1				
	38	71900 796	COVER ASSY	1				
	39	470L 0514	(+)TAPPING SCREW	2				
	40	71052 119	BOLT SET	1				
	41	36061 118	KNOB	4				
	42	31057 134	BOLT	2				
A	43	68028 118	WIRE BAND	3				
	44							
	45							
	46							
	47							
	48	91003 125	CONTROL CABLE	1				
	49	91003 170	CONTROL CABLE	1				
	50	91001 337	THROTTLE WIRE(FJ151V)	1				
	51	91003 177	CONTROL CABLE(BBC)	1				
	52	11062 174	FRAME C.P.	1				
	53	36098 133	GRASS BAG C.P.(KAAZ)	1				
C	54	41003 201	TUBE (15.6x800L)	1				
C	55	68028 119	WIRE BAND	2				
C	56	36080 156	RUBBER SHEET	1				