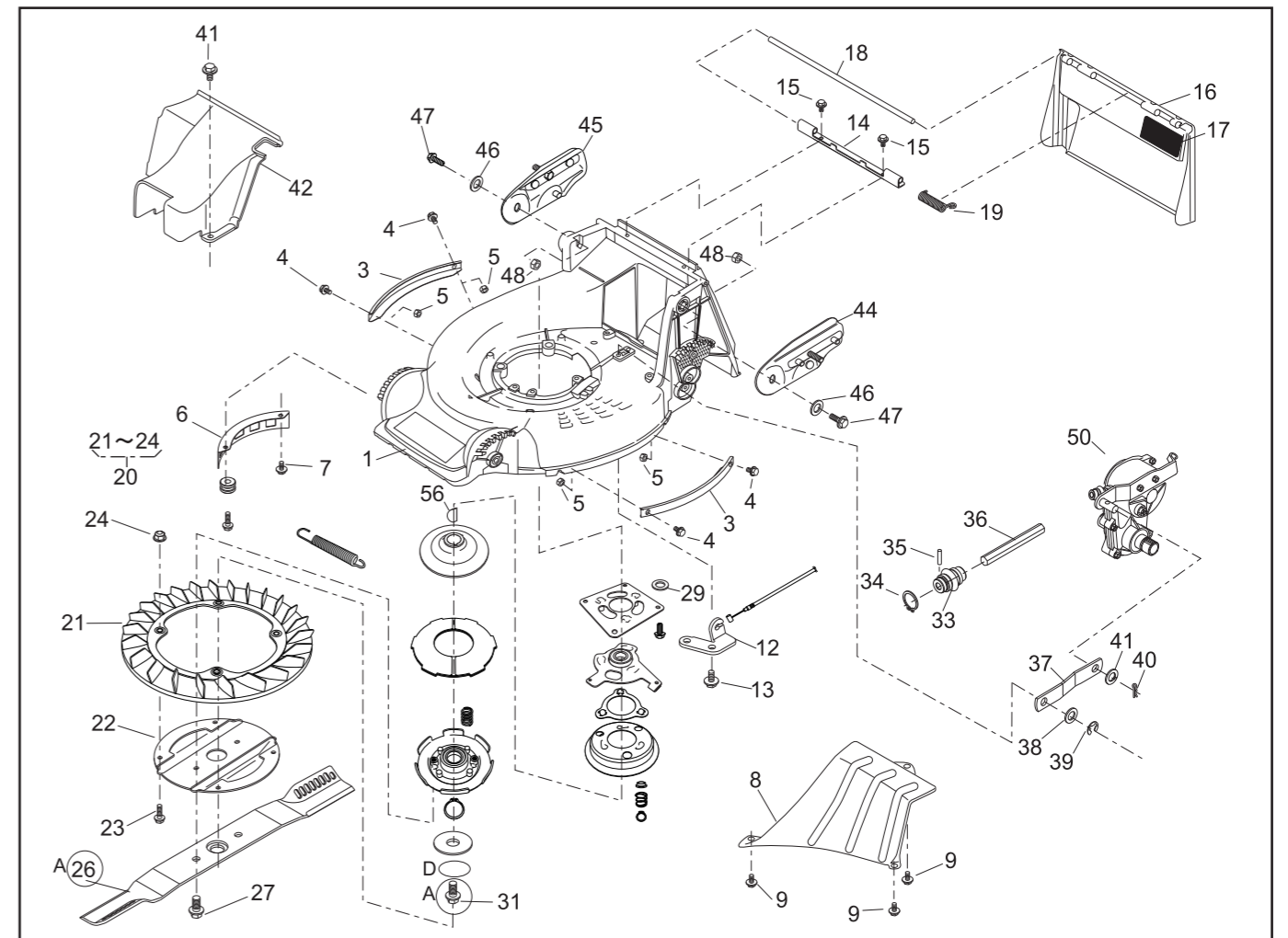


PARTS LIST

P/L No. 46014-376-02

| REF. No. | PARTS No. | PARTS NAME | GRASS-CUTTING | | 1/2 | Dec. 26. 2006 | REMARKS |
|----------|--------------|---------------------|----------------|----------|-----|---------------|---------|
| | | | Q'TY INCLUDING | PRICE() | | | |
| 1 | 51043 149 42 | HOUSING | 1 | | | | |
| 2 | | | | | | | |
| 3 | 51090 128 09 | PROTECTOR | 2 | | | | |
| 4 | 335L 0616 | FLANGE BOLT | 4 | | | | |
| 5 | 512L 0600 | HEXAGON NUT | 4 | | | | |
| 6 | 36065 180 | COVER | 1 | | | | |
| 7 | 342L 0612 | FLANGE BOLT TAPPING | 1 | | | | |
| 8 | 36065 400 | COVER | 1 | | | | |
| 9 | 342L 0612 | FLANGE BOLT TAPPING | 3 | | | | |
| 10 | | | | | | | |
| 11 | | | | | | | |
| 12 | 51002 118 | WIRE HOLDER | 1 | | | | |
| 13 | 342L 0612 | FLANGE BOLT TAPPING | 2 | | | | |
| 14 | 11113 292 | STAY | 1 | | | | |
| 15 | 342L 0612 | FLANGE BOLT TAPPING | 2 | | | | |
| 16 | 36068 188 46 | GUARD | 1 | | | | |
| 17 | 36080 149 | RUBBER SHEET | 1 | | | | |
| 18 | 64014 324 | SHAFT | 1 | | | | |
| 19 | 68013 336 | SPRING | 1 | | | | |
| 20 | 71082 111 | FAN ASSY | 1 | | | | |
| 21 | 51125 103 | FAN | 1 | | | | |
| 22 | 11102 151 | HOLDER | 1 | | | | |
| 23 | 31062 169 | PRE-COAT LOCK BOLT | 4 | | | | |
| 24 | 579L 0600 | FLANGE NUT | 4 | | | | |
| 25 | | | | | | | |
| A | 26 91014 190 | BLADE | 1 | | | | |
| | 27 335M 1020 | FLANGE BOLT | 2 | | | | |
| 28 | | | | | | | |



PARTS LIST

P/L No. 46014-376-02

| REF. No. | PARTS No. | PARTS NAME | GRASS-CUTTING | | 2/2 | Dec. 26. 2006 | REMARKS |
|----------|--------------|-----------------------------|----------------|----------|-----|---------------|---------|
| | | | Q'TY INCLUDING | PRICE() | | | |
| 29 | 68036 292 | WASHER | 4 | | | | |
| 30 | 71067 116 | BRAKE ASSY | 1 | | | | |
| A | 31 31057 272 | HEXAGON BOLT | 1 | | | | |
| D | 32 | | | | | | |
| | 33 91097 101 | UNIVERSAL JOINT | 1 | | | | |
| | 34 812V 2000 | C-SNAP RING FOR SHAFT | 1 | | | | |
| | 35 717B 0418 | PARALLEL PIN | 1 | | | | |
| | 36 64014 372 | SHAFT | 1 | | | | |
| | 37 91049 137 | CONNECTOR | 1 | | | | |
| | 38 68036 280 | WASHER | 1 | | | | |
| | 39 816V 0800 | E-SNAP RING | 1 | | | | |
| | 40 733L 1000 | SNAP PIN | 1 | | | | |
| | 41 68036 280 | WASHER | 1 | | | | |
| | 42 36065 455 | COVER | 1 | | | | |
| | 43 335L 0616 | FLANGE BOLT | 1 | | | | |
| | 44 51116 145 | HANDLE BRACKET(L) | 1 | | | | |
| | 45 51116 146 | HANDLE BRACKET(R) | 1 | | | | |
| | 46 68036 101 | WASHER | 2 | | | | |
| | 47 312M 0830 | BOLT | 2 | | | | |
| | 48 512L 0800 | HEXAGON NUT | 2 | | | | |
| | 49 | | | | | | |
| | 50 71008 369 | GEAR CASE ASSY | 1 | | | | |
| | 51 | | | | | | |
| | 52 | | | | | | |
| | 53 | | | | | | |
| | 54 | | | | | | |
| | 55 122048 | ENGINE:KAWASAKI FJ151V-AC50 | 1 | | | | |
| | 56 96007 183 | KEY | 1 | | | | |