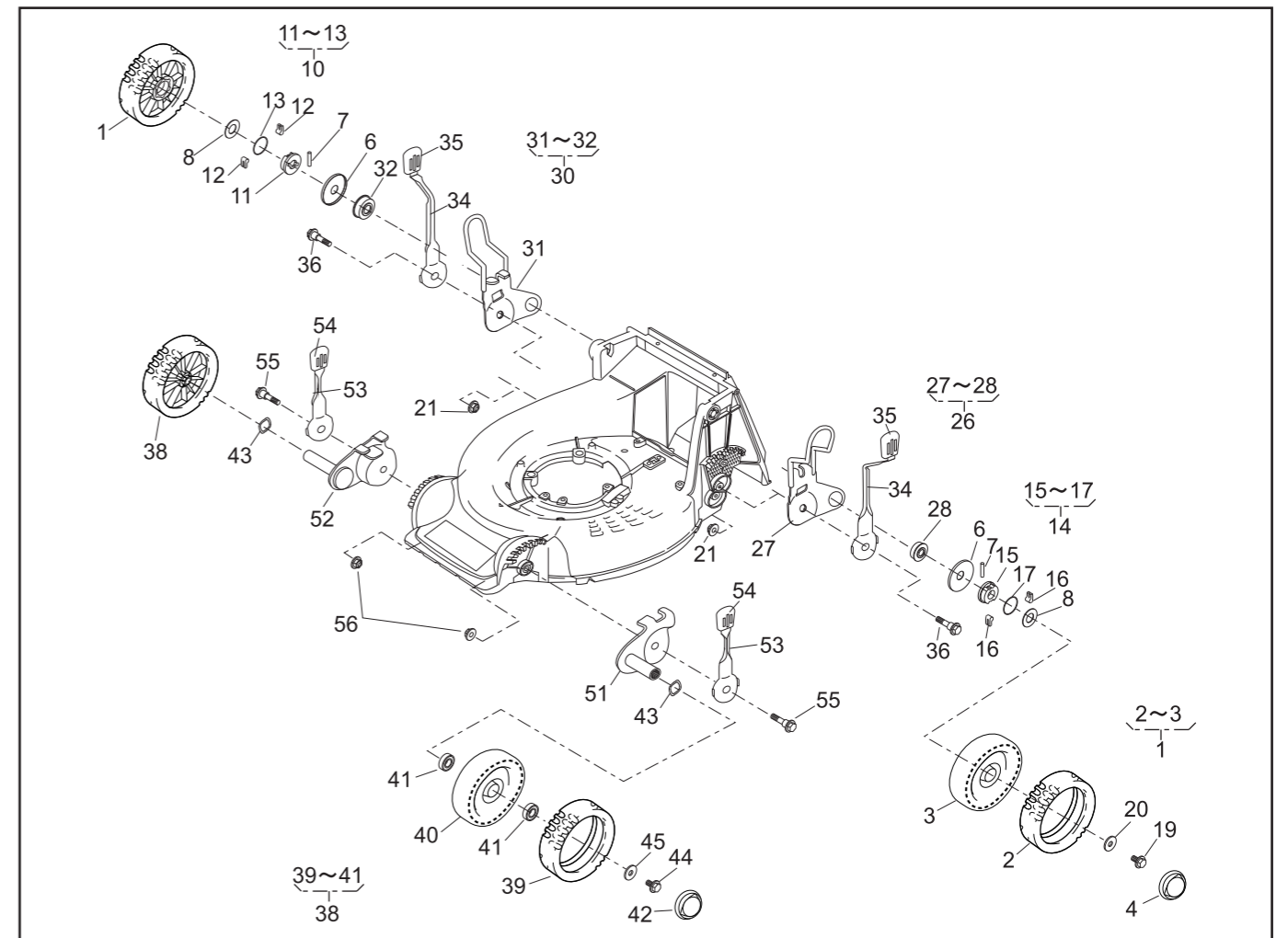


PARTS LIST

46014-369-00

REF. No.	PARTS No.	PARTS NAME	WHEEL		PRICE( )	RECOMM.(%) Lot.100	REMARKS
			Q'TY INCLUDING				
1	71041   112	WHEEL ASSY(R)	2				
2	91086   106	TIRE	2				
3	36107   101	WHEEL	2				
4	36070   110	CAP	2				
5							
6	61003   112	THRUST PLATE	2				
7	31034   137	PIN	2				
8	68036   146	WASHER	2				
9							
10	71158   101	RATCHET ASSY(RR)	1				
11	11102   138	HOLDER	1				
12	31034   170	PIN	2				
13	68013   266	SPRING	1				
14	71158   102	RATCHET ASSY(RL)	1				
15	11102   138	HOLDER	1				
16	31034   170	PIN	2				
17	68013   266	SPRING	1				
18							
19	31057   181	HEXAGON BOLT	2				
20	68036   101	WASHER	2				
21	569L   0800	FLANGE NYLON NUT	2				
22							
23							
24							
25							
26	71122   101	ADJUSTER ASSY(RL)	1				
27	11142   104	ADJUSTER	1				
28	945L   0349	BEARING	1				



PARTS LIST

46014-369-00

REF. No.	PARTS No.	PARTS NAME	WHEEL		PRICE( )	RECOMM.(%) Lot.100	REMARKS
			Q'TY INCLUDING				
29							
30	71122   102	ADJUSTER ASSY(RR)	1				
31	11142   105	ADJUSTER	1				
32	945L   0349	BEARING	1				
33							
34	11150   102   09	ADJUST LEVER(R)	2				
35	36061   121	KNOB	2				
36	31057   260	HEXAGON BOLT	2				
37							
38	71041   103	WHEEL ASSY(F)	2				
39	91086   102	TIRE	2				
40	36107   102	WHEEL	2				
41	932L   0696	BEARING	4				
42	36070   110	CAP	2				
43	664V   0626	WAVE SPRING WASHER	2				
44	31057   181	HEXAGON BOLT	2				
45	68036   101	WASHER	2				
46							
47							
48							
49							
50							
51	11142   112	ADJUSTER(FL)	1				
52	11142   113	ADJUSTER(FR)	1				
53	11150   107   09	ADJUST LEVER(F)	2				
54	36061   121	KNOB	2				
55	31057   260	HEXAGON BOLT	2				
56	569L   0800	FLANGE NYLON NUT	2				