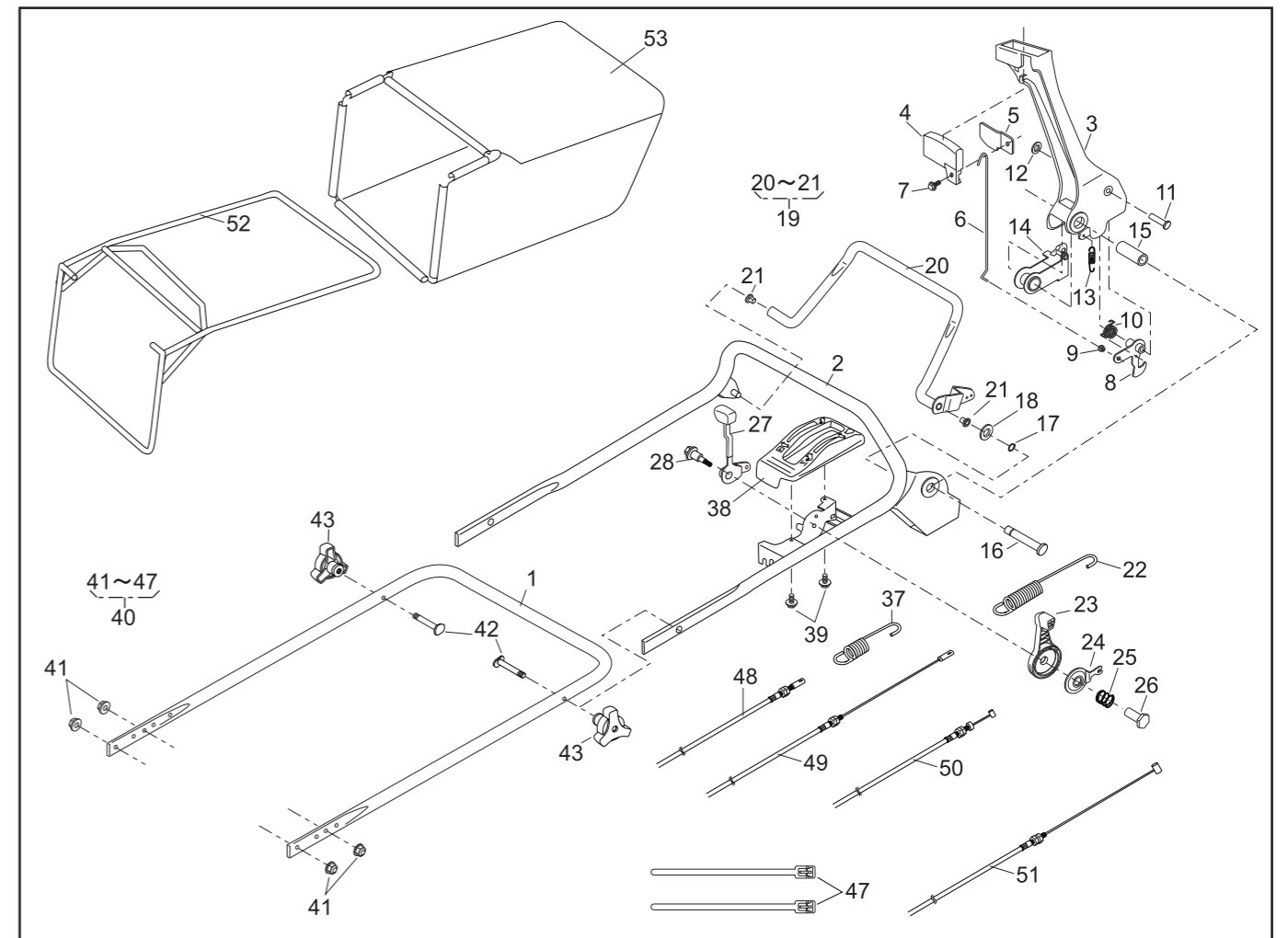


### PARTS LIST

46014-248

REF. No.	PARTS No.	PARTS NAME	HANDLE		1/2	Feb.08,2005	REMARKS
			Q'TY INCLUDING	PRICE( )			
1	51027 254	HANDLE	1				
2	51027 255	HANDLE	1				
3	11095 172	LEVER(BBC)	1				
4	36110 102	BUTTON	1				
5	11049 109	SLIDE PLATE	1				
6	64014 336	SHAFT	1				
7	335N 0612	FLANGE BOLT	1				
8	71203 135	ARM C.P.	1				
9	76007 183	BUSH	1				
10	68013 371	SPRING	1				
11	31056 127	GIB-HEADED PIN	1				
12	576V 0600	PUSH NUT	1				
13	68013 372	SPRING	1				
14	11109 111	LINK	1				
15	61023 190	SLEEVE	1				
16	64014 337	SHAFT	1				
17	812V 0800	C-SNAP RING FOR SHAFT	1				
18	613L 0800	WASHER	1				
19	71161 114 09	LEVER ASSY	1				
20		LEVER	1				
21	76007 131	BUSH	2				
22	68013 374	SPRING	1				
23	91010 169	THROTTLE LEVER(GXV120/GXV160)	1				
24	61003 113	THRUST PLATE	1				
25	68013 356	SPRING	1				
26	31058 168	NUT	1				
27	11095 117	LEVER	1				
28	31062 109	PRE-COAT LOCK BOLT	1				



### PARTS LIST

46014-248

REF. No.	PARTS No.	PARTS NAME	HANDLE		2/2	Feb.08,2005	REMARKS
			Q'TY INCLUDING	PRICE( )			
29							
30							
31							
32							
33							
34							
35							
36							
37	68013 161	SPRING	1				
38	71900 796	COVER ASSY	1				
39	470L 0514	(+)TAPPING SCREW	2				
40	71900 895	BOLT SET	1				
41	569L 0800	FLANGE NYLON NUT	4				
42	31057 134	BOLT	2				
43	36061 118	KNOB	2				
44							
45							
46							
47	68028 103	WIRE BAND	2				
48	91003 125	CONTROL CABLE	1				
49	91003 170	CONTROL CABLE	1				
50	91001 329	THROTTLE WIRE(GXV120/GXV160)	1				
51	91003 169	CONTROL CABLE(BBC)	1				
52	11062 178	FRAME C.P.	1				
53	36098 132	GRASS BAG C.P.(KAAZ)	1				
54							
55							
56							