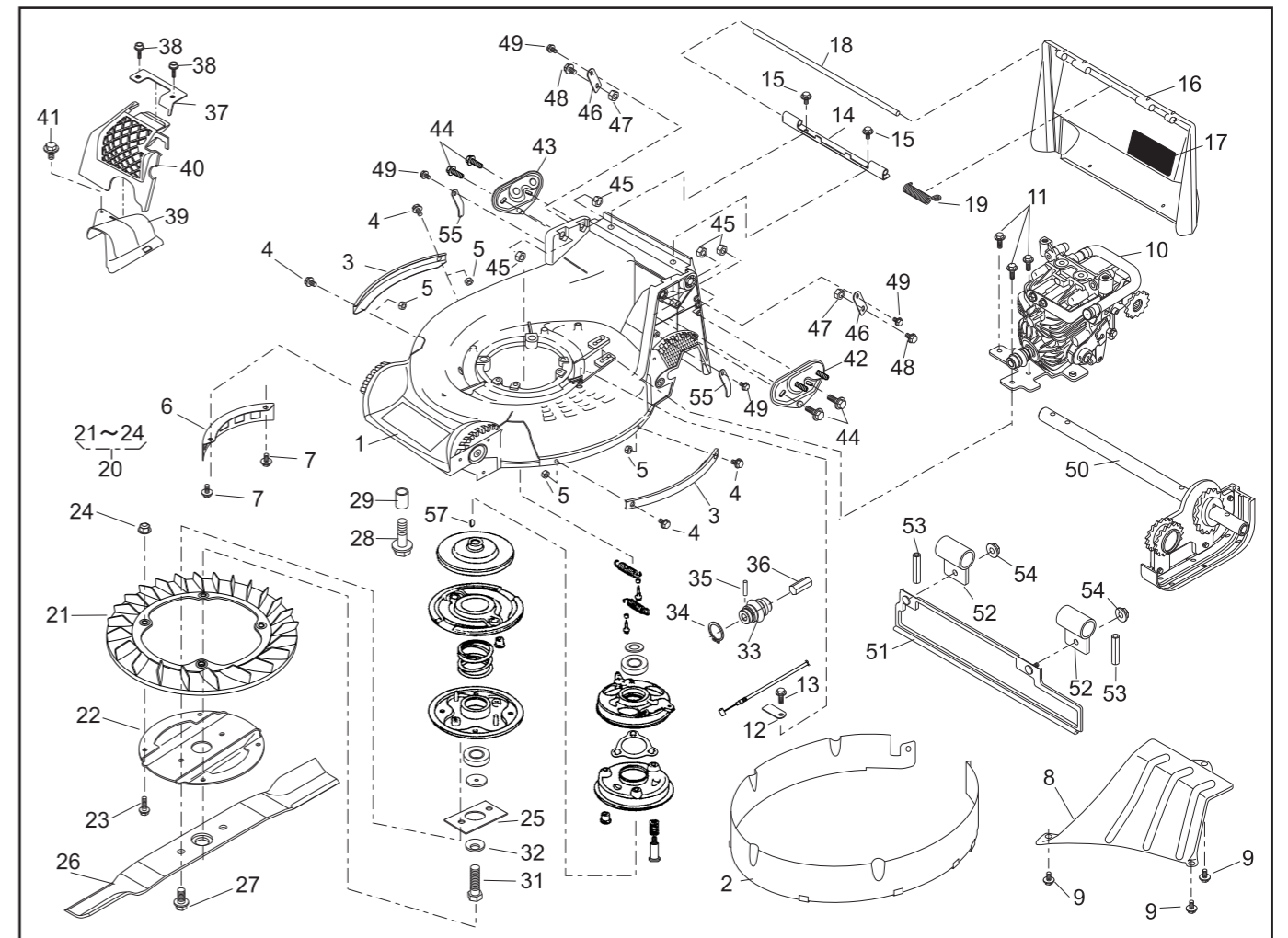


PARTS LIST

46014-350-00

REF. No.	PARTS No.	PARTS NAME	GRASS-CUTTING-HST-Pro		PRICE()	RECOMM.(%) Lot.100	REMARKS
			Q'TY	INCLUDING			
1	51043 147 42	HOUSING	1				
2	36068 197	GUARD	1				
3	51090 117 09	PROTECTOR	2				
4	335L 0616	FLANGE BOLT	4				
5	512L 0600	HEXAGON NUT	4				
6	36065 180	COVER	1				
7	342L 0612	FLANGE TAPPING BOLT	2				
8	36065 436	COVER	1				
9	342L 0612	FLANGE TAPPING BOLT	3				
10		HST UNIT	1				
11	342L 0612	FLANGE TAPPING BOLT	3				
12	11113 407	STAY	1				
13	342L 0612	FLANGE TAPPING BOLT	1				
14	11113 292	STAY	1				
15	342L 0612	FLANGE TAPPING BOLT	2				
16	36068 196 46	GUARD	1				
17	36080 149	RUBBER SHEET	1				
18	64014 324	SHAFT	1				
19	68013 336	SPRING	1				
20	71082 111	FAN ASSY	1				
21	51125 103	FAN	1				
22	11102 151	HOLDER	1				
23	31062 169	PRE-COAT LOCK BOLT	4				
24	579L 0600	FLANGE NUT	4				
25	61024 208	SPACER	1				
26	91014 159	BLADE	1				
27	31057 197	HEXAGON BOLT	2				
28	31057 243	HEXAGON BOLT	4				
29	61024 142	SPACER	3				



PARTS LIST

46014-350-00

REF. No.	PARTS No.	PARTS NAME	GRASS-CUTTING-HST-Pro		PRICE()	RECOMM.(%) Lot.100	REMARKS
			Q'TY	INCLUDING			
30	71067 106	BRAKE ASSY	1				
31	31057 196	HEXAGON BOLT	1				
32	671V 1000	SPRING WASHER	1				
33	91097 101	UNIVERSAL JOINT	1				
34	812V 2000	C-SNAP RING	1				
35	717B 0418	PARALLEL PIN	1				
36	64014 368	SHAFT	1				
37	11050 181	FIXING PLATE	1				
38	423L 0820	SOCKET SCREW FLANGE	2				
39	36065 453	COVER	1				
40	36065 454	COVER	1				
41	342L 0616	FLANGE TAPPING BOLT	1				
42	51116 149	HANDLE BRACKET(L)	1				
43	51116 150	HANDLE BRACKET(R)	1				
44	31057 255	HEXAGON BOLT	4				
45	512L 0800	HEXAGON NUT	4				
46	11113 408	STAY	2				
47	512L 0800	HEXAGON NUT	2				
48	31057 181	HEXAGON BOLT	2				
49	342L 0612	FLANGE TAPPING BOLT	4				
50		SHAFT UNIT	1				
51	36046 154	SAFETY GUARD	1				
52	11012 126	HANGER BAND	2				
53	711V 0522	SPRING PIN	2				
54	569L 0600	FLANGE NYLON NUT	2				
55	11113 415	SATY	2				
56	122039	ENGINE:HONDA GXV160H2-SFL1-R280	1				
57		KEY	1				
58							