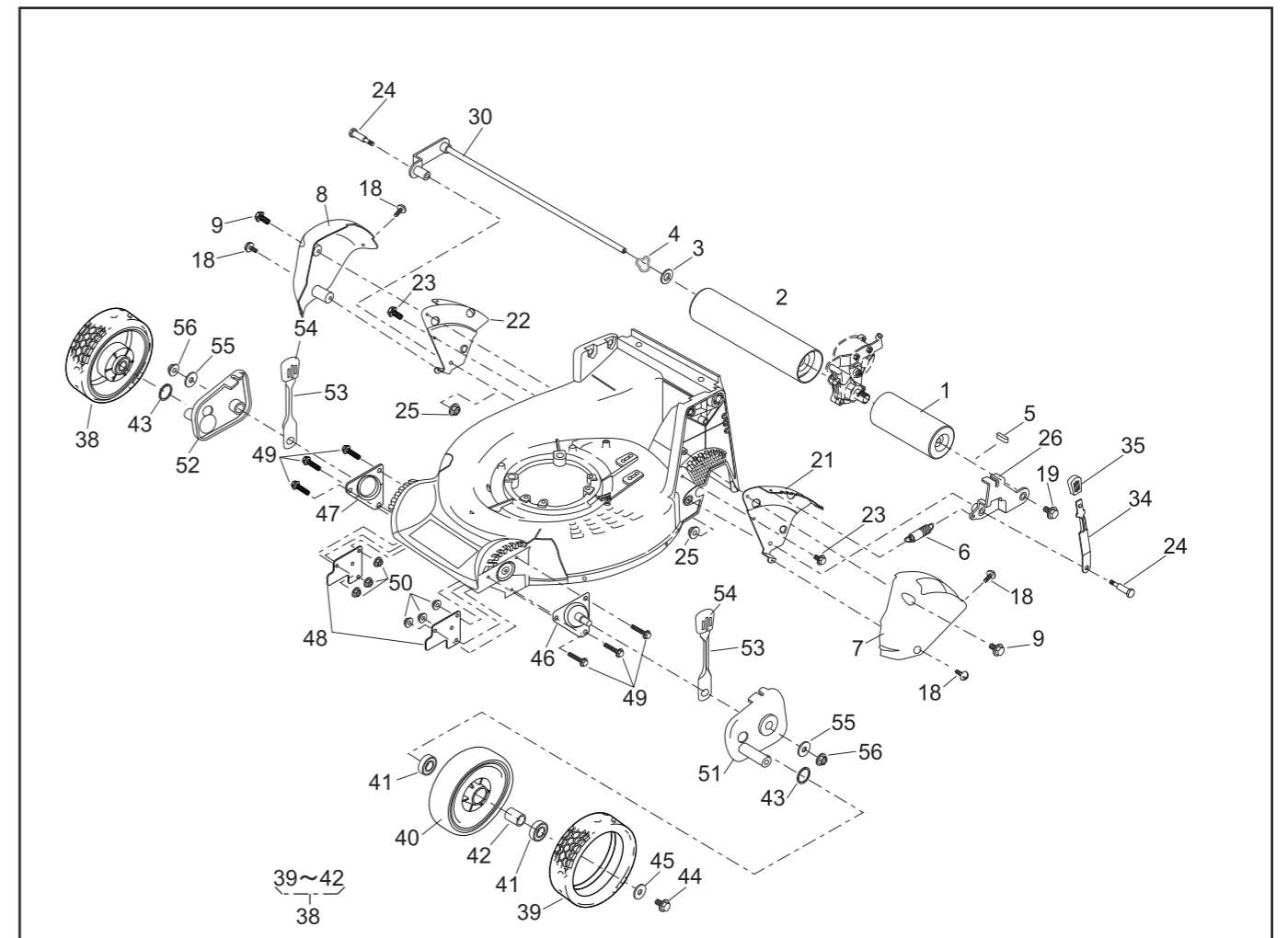


PARTS LIST

46014-227

REF. No.	PARTS No.	PARTS NAME	8"AI-ROLLER		1/2	RECOMM.(%) Lot.100	Mar.31,2005	REMARKS
			Q'TY INCLUDING	PRICE()				
1	36099 102	ROLLER(L)	1					
2	36099 103	ROLLER(R)	1					
3	61024 118	SPACER	0~2					
4	664V 0016	WAVE SPRING WASHER	0~2					
5	91020 131	KEY	1					
6	68013 265	SPRING	1					
7	36065 444	COVER	1					
8	36065 445	COVER	1					
9	342L 0616	FLANGE TAPPING BOLT	2					
10								
11								
12								
13								
14								
15								
16								
17								
18	475L 0516	(+)TAPPING SCREW	4					
19	31057 181	HEXAGON BOLT	1					
20								
21	11113 411	STAY(RL)	1					
22	11113 412	STAY(RR)	1					
23	342L 0612	FLANGE BOLT TAPPING	2					
24	31057 261	HEXAGON BOLT	2					
25	569L 0800	FLANGE NYLON NUT	2					
26	11142 136	ADJUSTER(L)	1					
27								
28								



PARTS LIST

46014-227

REF. No.	PARTS No.	PARTS NAME	8"AI-ROLLER		2/2	RECOMM.(%) Lot.100	Mar.31,2005	REMARKS
			Q'TY INCLUDING	PRICE()				
29								
30	11142 137	ADJUSTER(R)	1					
31								
32								
33								
34	11150 108 09	ADJUST LEVER	1					
35	36061 121	KNOB	1					
36								
37								
38	71041 135	WHEEL ASSY(A.W.)	2					
39	91086 113	TIRE	2					
40		WHEEL	2					
41	916B 6002	BEARING	4					
42	11083 332	COLLAR	2					
43	51113 119	RING	2					
44	31057 181	HEXAGON BOLT	2					
45	68036 101	WASHER	2					
46	11006 153	STAY C.P.(FL)	1					
47	11006 154	STAY C.P.(FR)	1					
48	11113 409	STAY	2					
49	335L 0625	FLANGE BOLT	6					
50	569L 0600	FLANGE NYLON NUT	6					
51	11142 129	ADJUSTER(FL)	1					
52	11142 130	ADJUSTER(FR)	1					
53	11150 106 09	ADJUST LEVER	2					
54	36061 121	KNOB	2					
55	613L 0800	WASHER	2					
56	569L 0800	FLANGE NYLON NUT	2					