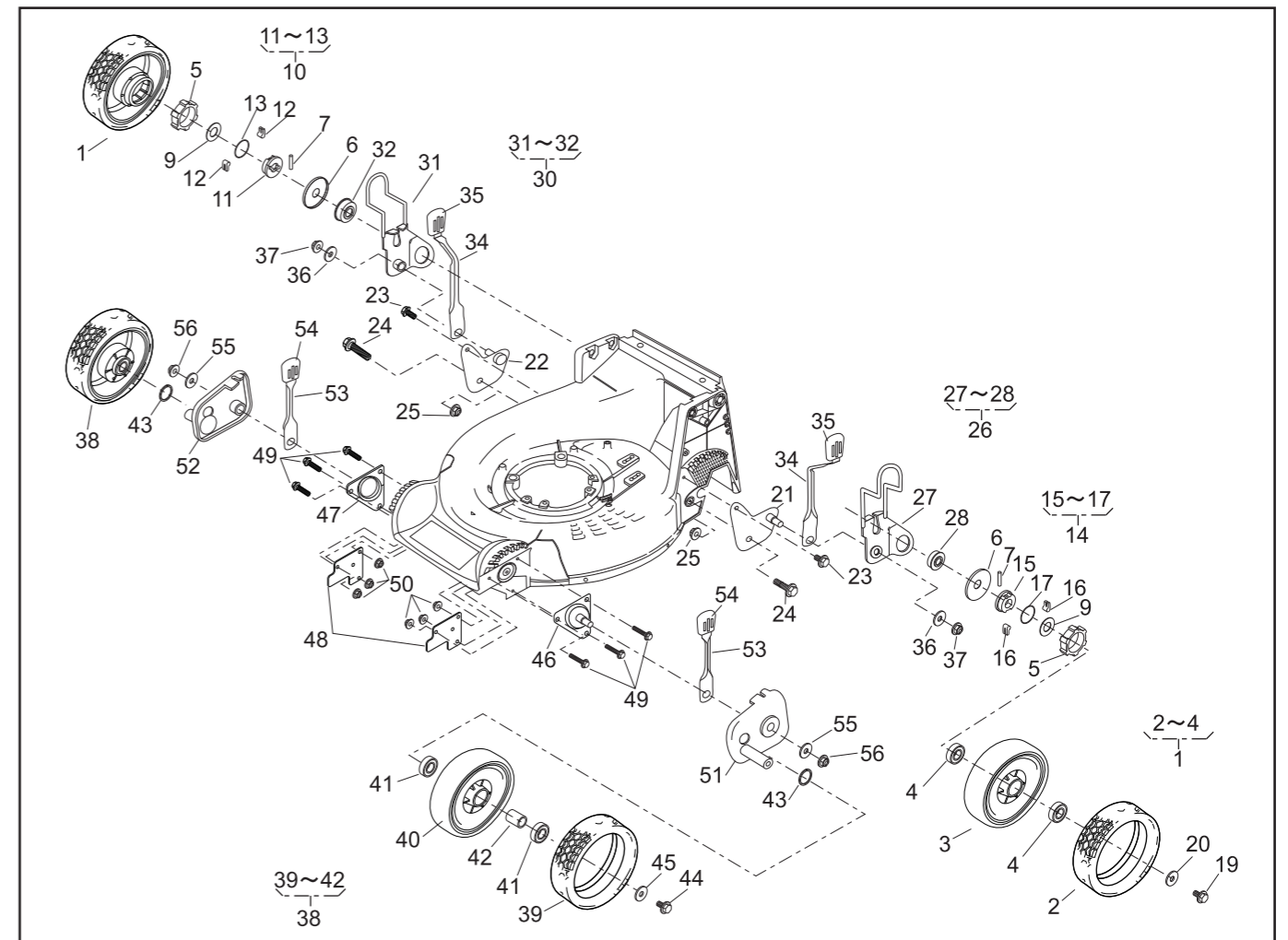


PARTS LIST

46014-224

REF. No.	PARTS No.	PARTS NAME	8"AI-WHEEL		PRICE()	1/2	RECOMM.(%) Lot.100	REMARKS
			Q'TY	INCLUDING				
1	71041 136	WHEEL ASSY(A.W.)	2					
2	91086 113	TIRE	2					
3		WHEEL	2					
4	916B 6002	BEARING	4					
5	11086 119	STOPPER	2					
6	61003 112	THRUST PLATE	2					
7	31034 137	PIN	2					
8								
9	68036 146	WASHER	2					
10	71158 101	RATCHET ASSY(R)	1					
11	11102 138	HOLDER	1					
12	31034 170	PIN	2					
13	68013 266	SPRING	1					
14	71158 102	RATCHET ASSY(L)	1					
15	11102 138	HOLDER	1					
16	31034 170	PIN	2					
17	68013 266	SPRING	1					
18								
19	31057 181	HEXAGON BOLT	2					
20	68036 101	WASHER	2					
21	11006 151	STAY C.P.(RL)	1					
22	11006 152	STAY C.P.(RR)	1					
23	342L 0612	FLANGE BOLT TAPPING	2					
24	31057 255	HEXAGON BOLT	2					
25	569L 0800	FLANGE NYLON NUT	2					
26	71122 112	ADJUSTER ASSY(L)	1					
27	11142 131	ADJUSTER(RL)	1					
28	945L 0349	BEARING	1					



PARTS LIST

46014-224

REF. No.	PARTS No.	PARTS NAME	8"AI-WHEEL		PRICE()	2/2	RECOMM.(%) Lot.100	REMARKS
			Q'TY	INCLUDING				
29								
30	71122 113	ADJUSTER ASSY(R)	1					
31	11142 132	ADJUSTER(RR)	1					
32	945L 0349	BEARING	1					
33								
34	11150 105 09	ADJUST LEVER	2					
35	36061 121	KNOB	2					
36	613L 0800	WASHER	2					
37	569L 0800	FLANGE NYLON NUT	2					
38	71041 135	WHEEL ASSY(A.W.)	2					
39	91086 113	TIRE	2					
40		WHEEL	2					
41	916B 6002	BEARING	4					
42	11083 332	COLLAR	2					
43	51113 119	RING	2					
44	31057 181	HEXAGON BOLT	2					
45	68036 101	WASHER	2					
46	11006 153	STAY C.P.(FL)	1					
47	11006 154	STAY C.P.(FR)	1					
48	11113 409	STAY	2					
49	335L 0625	FLANGE BOLT	6					
50	569L 0600	FLANGE NYLON NUT	6					
51	11142 129	ADJUSTER(FL)	1					
52	11142 130	ADJUSTER(FR)	1					
53	11150 106 09	ADJUST LEVER	2					
54	36061 121	KNOB	2					
55	613L 0800	WASHER	2					
56	569L 0800	FLANGE NYLON NUT	2					