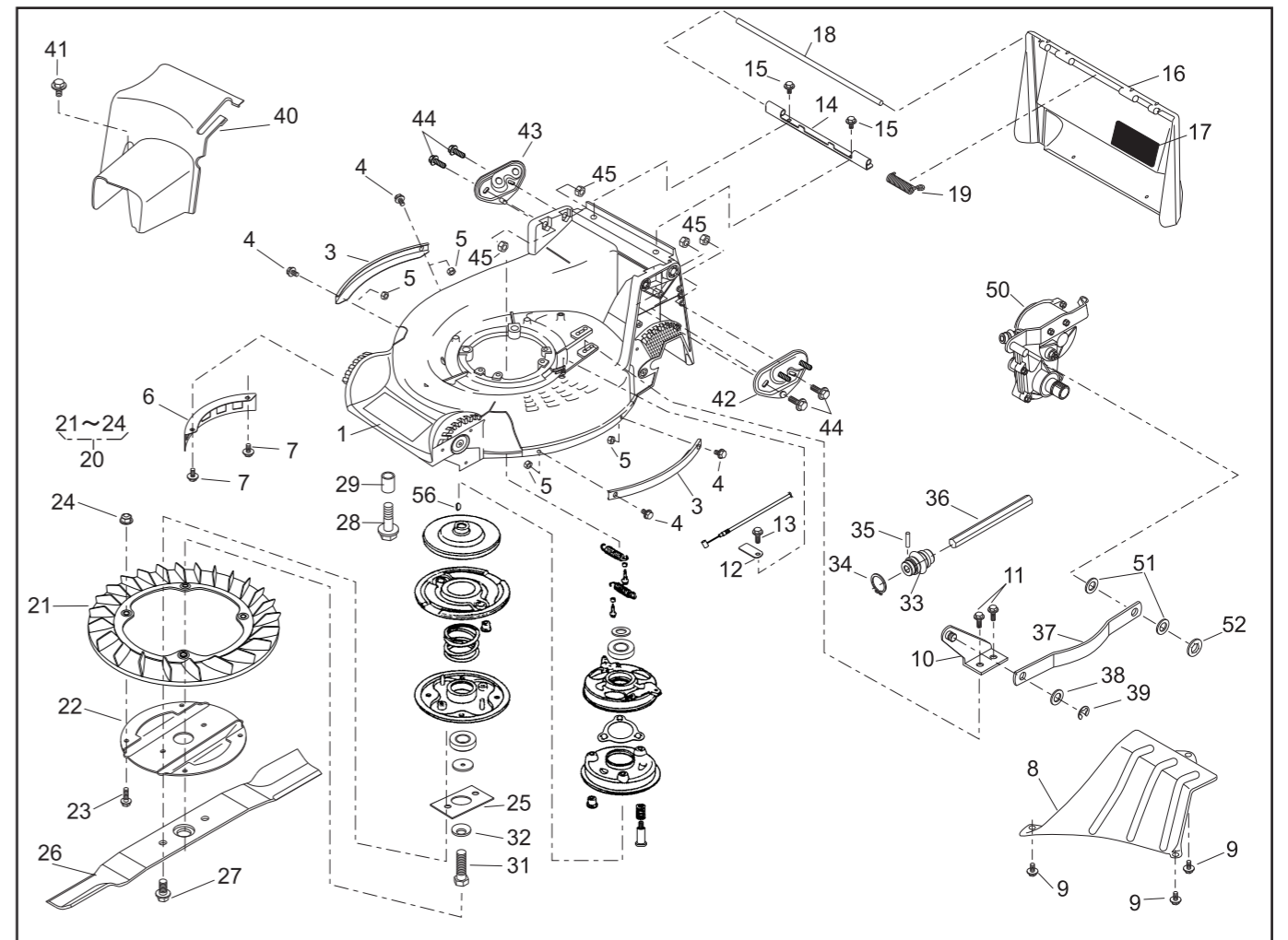


PARTS LIST

46014-237

| REF. No. | PARTS No. | PARTS NAME | GRASS-CUTTING | | 1/2 | RECOMM.(%) Lot.100 | REMARKS |
|----------|--------------|---------------------|----------------|----------|-----|-----------------------|---------|
| | | | Q'TY INCLUDING | PRICE() | | | |
| 1 | 51043 147 42 | HOUSING | 1 | | | | |
| 2 | | | | | | | |
| 3 | 51090 117 09 | PROTECTOR | 2 | | | | |
| 4 | 335L 0616 | FLANGE BOLT | 4 | | | | |
| 5 | 512L 0600 | HEXAGON NUT | 4 | | | | |
| 6 | 36065 180 | COVER | 1 | | | | |
| 7 | 342L 0612 | FLANGE BOLT TAPPING | 2 | | | | |
| 8 | 36065 436 | COVER | 1 | | | | |
| 9 | 342L 0612 | FLANGE BOLT TAPPING | 3 | | | | |
| 10 | 11006 155 | STAY C.P. | 1 | | | | |
| 11 | 342L 0612 | FLANGE BOLT TAPPING | 2 | | | | |
| 12 | 11113 407 | STAY | 1 | | | | |
| 13 | 342L 0612 | FLANGE BOLT TAPPING | 1 | | | | |
| 14 | 11113 292 | STAY | 1 | | | | |
| 15 | 342L 0612 | FLANGE BOLT TAPPING | 2 | | | | |
| 16 | 36068 196 46 | GUARD | 1 | | | | |
| 17 | 36080 149 | RUBBER SHEET | 1 | | | | |
| 18 | 64014 324 | SHAFT | 1 | | | | |
| 19 | 68013 336 | SPRING | 1 | | | | |
| 20 | 71082 111 | FAN ASSY | 1 | | | | |
| 21 | 51125 103 | FAN | 1 | | | | |
| 22 | 11102 151 | HOLDER | 1 | | | | |
| 23 | 31062 169 | PRE-COAT LOCK BOLT | 4 | | | | |
| 24 | 579L 0600 | FLANGE NUT | 4 | | | | |
| 25 | 61024 208 | SPACER | 1 | | | | |
| 26 | 91014 159 59 | BLADE | 1 | | | | |
| 27 | 31057 197 | HEXAGON BOLT | 2 | | | | |
| 28 | 31057 243 | HEXAGON BOLT | 4 | | | | |



PARTS LIST

46014-237

| REF. No. | PARTS No. | PARTS NAME | GRASS-CUTTING | | 2/2 | RECOMM.(%) Lot.100 | REMARKS |
|----------|-----------|---------------------------------|----------------|----------|-----|-----------------------|---------|
| | | | Q'TY INCLUDING | PRICE() | | | |
| 29 | 61024 142 | SPACER | 3 | | | | |
| 30 | 71067 106 | BRAKE ASSY | 1 | | | | |
| 31 | 31057 196 | HEXAGON BOLT | 1 | | | | |
| 32 | 671V 1000 | CONICAL SPRING WASHER | 1 | | | | |
| 33 | 91097 101 | UNIVERSAL JOINT | 1 | | | | |
| 34 | 812V 2000 | C-SNAP RING FOR SHAFT | 1 | | | | |
| 35 | 717B 0418 | PARALLEL PIN | 1 | | | | |
| 36 | 64014 359 | SHAFT | 1 | | | | |
| 37 | 91049 133 | CONNECTOR | 1 | | | | |
| 38 | 68036 280 | WASHER | 1 | | | | |
| 39 | 816V 0800 | E-SNAP RING | 1 | | | | |
| 40 | 36065 438 | COVER | 1 | | | | |
| 41 | 342L 0616 | FLANGE BOLT TAPPING | 1 | | | | |
| 42 | 51116 149 | HANDLE BRACKET(L) | 1 | | | | |
| 43 | 51116 150 | HANDLE BRACKET(R) | 1 | | | | |
| 44 | 31057 255 | HEXAGON BOLT | 4 | | | | |
| 45 | 512L 0800 | HEXAGON NUT | 4 | | | | |
| 46 | | | | | | | |
| 47 | | | | | | | |
| 48 | | | | | | | |
| 49 | | | | | | | |
| 50 | 71008 369 | GEAR CASE ASSY | 1 | | | | |
| 51 | 68001 110 | FIBER WASHER | 2 | | | | |
| 52 | 576V 1000 | PUSH NUT | 1 | | | | |
| 53 | | | | | | | |
| 54 | | | | | | | |
| 55 | 122039 | ENGINE:HONDA GXV160H2-SFL1-R280 | 1 | | | | |
| 56 | | WOOD RUFF KEY | 1 | | | | |