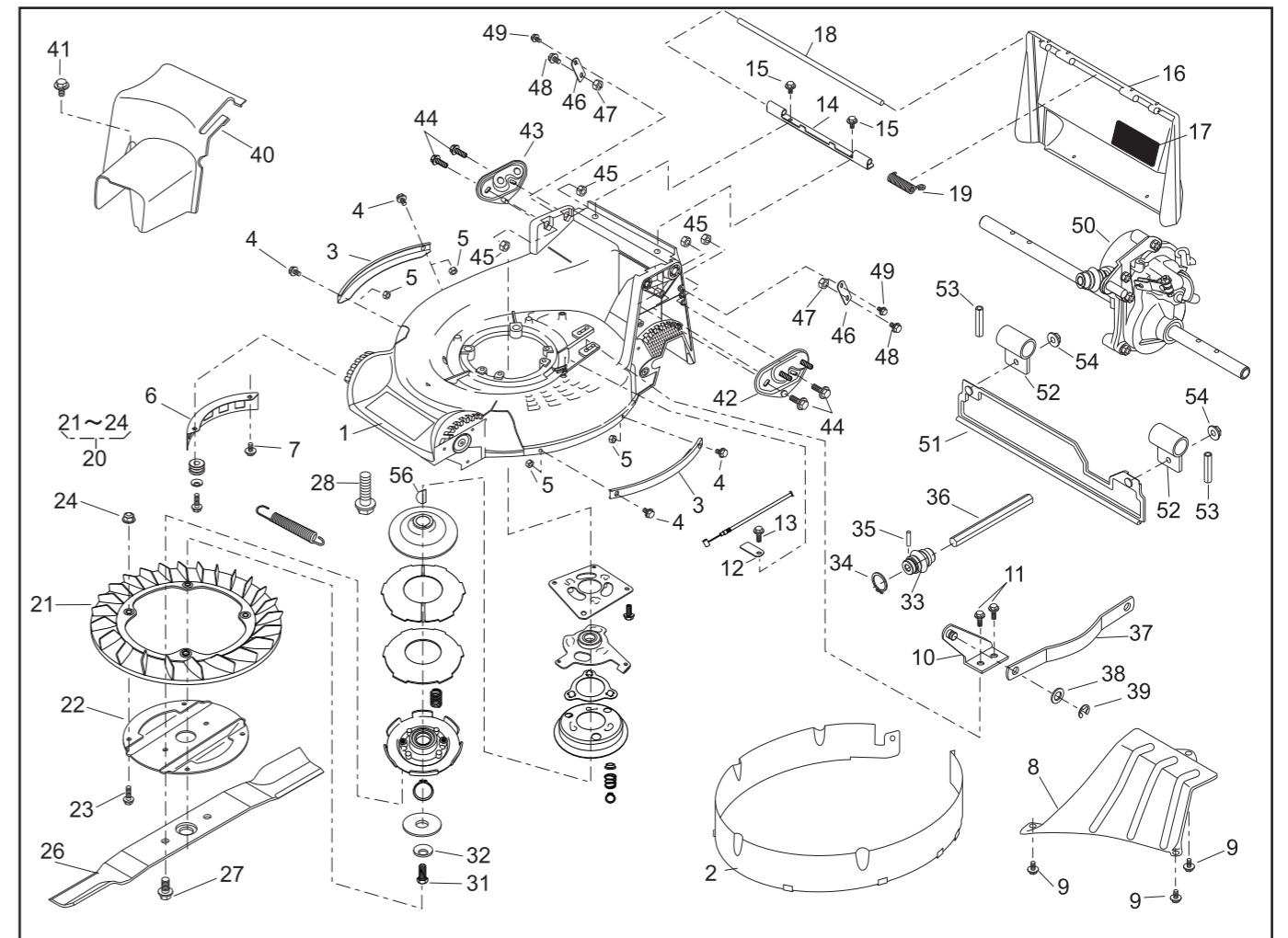


**PARTS LIST**  
Serial No. 3000001~

46014-232

REF. No.	PARTS No.	PARTS NAME	GRASS-CUTTING-Pro		PRICE( )	1/2		RECOMM.(%) Lot.100	REMARKS
			Q'TY	INCLUDING					
1	51043   147   42	HOUSING	1						
2	36068   197	GUARD	1						
3	51090   117   09	PROTECTOR	2						
4	335L   0616	FLANGE BOLT	4						
5	512L   0600	HEXAGON NUT	4						
6	36065   180	COVER	1						
7	342L   0612	FLANGE BOLT TAPPING	1						
8	36065   436	COVER	1						
9	342L   0612	FLANGE BOLT TAPPING	3						
10	11006   155	STAY C.P.	1						
11	342L   0612	FLANGE BOLT TAPPING	2						
12	11113   407	STAY	1						
13	342L   0612	FLANGE BOLT TAPPING	1						
14	11113   292	STAY	1						
15	342L   0612	FLANGE BOLT TAPPING	2						
16	36068   196   46	GUARD	1						
17	36080   149	RUBBER SHEET	1						
18	64014   324	SHAFT	1						
19	68013   336	SPRING	1						
20	71082   111	FAN ASSY	1						
21	51125   103	FAN	1						
22	11102   151	HOLDER	1						
23	31062   169	PRE-COAT LOCK BOLT	4						
24	579L   0600	FLANGE NUT	4						
25									
26	91014   159   59	BLADE	1						
27	335M   1020	FLANGE BOLT	2						
28	335L   1040	FLANGE BOLT	4						



**PARTS LIST**  
Serial No. 3000001~

46014-232

REF. No.	PARTS No.	PARTS NAME	GRASS-CUTTING-Pro		PRICE( )	2/2		RECOMM.(%) Lot.100	REMARKS
			Q'TY	INCLUDING					
29									
30	71067   115	BRAKE ASSY	1						
31	31057   259	HEXAGON BOLT	1						
32	671V   1000	CONICAL SPRING WASHER	1						
33	91097   101	UNIVERSAL JOINT	1						
34	812V   2000	C-SNAP RING FOR SHAFT	1						
35	717B   0418	PARALLEL PIN	1						
36	64014   357	SHAFT	1						
37	91049   129	CONNECTOR	1						
38	68036   280	WASHER	1						
39	816V   0800	E-SNAP RING	1						
40	36065   438	COVER	1						
41	342L   0616	FLANGE BOLT TAPPING	1						
42	51116   149	HANDLE BRACKET(L)	1						
43	51116   150	HANDLE BRACKET(R)	1						
44	31057   255	HEXAGON BOLT	4						
45	512L   0800	HEXAGON NUT	4						
46	11113   408	STAY	2						
47	512L   0800	HEXAGON NUT	2						
48	31057   181	HEXAGON BOLT	2						
49	342L   0612	FLANGE BOLT TAPPING	2						
50	71008   377	GEAR CASE ASSY	1						
51	36046   150	SAFETY GUARD	1						
52	11012   126	HANGER BAND	2						
53	711V   0522	SPRING PIN	2						
54	569L   0600	FLANGE NYLON NUT	2						
55	122038	ENGINE:KAWASAKI FC180V-CC50	1						
56		KEY	1						