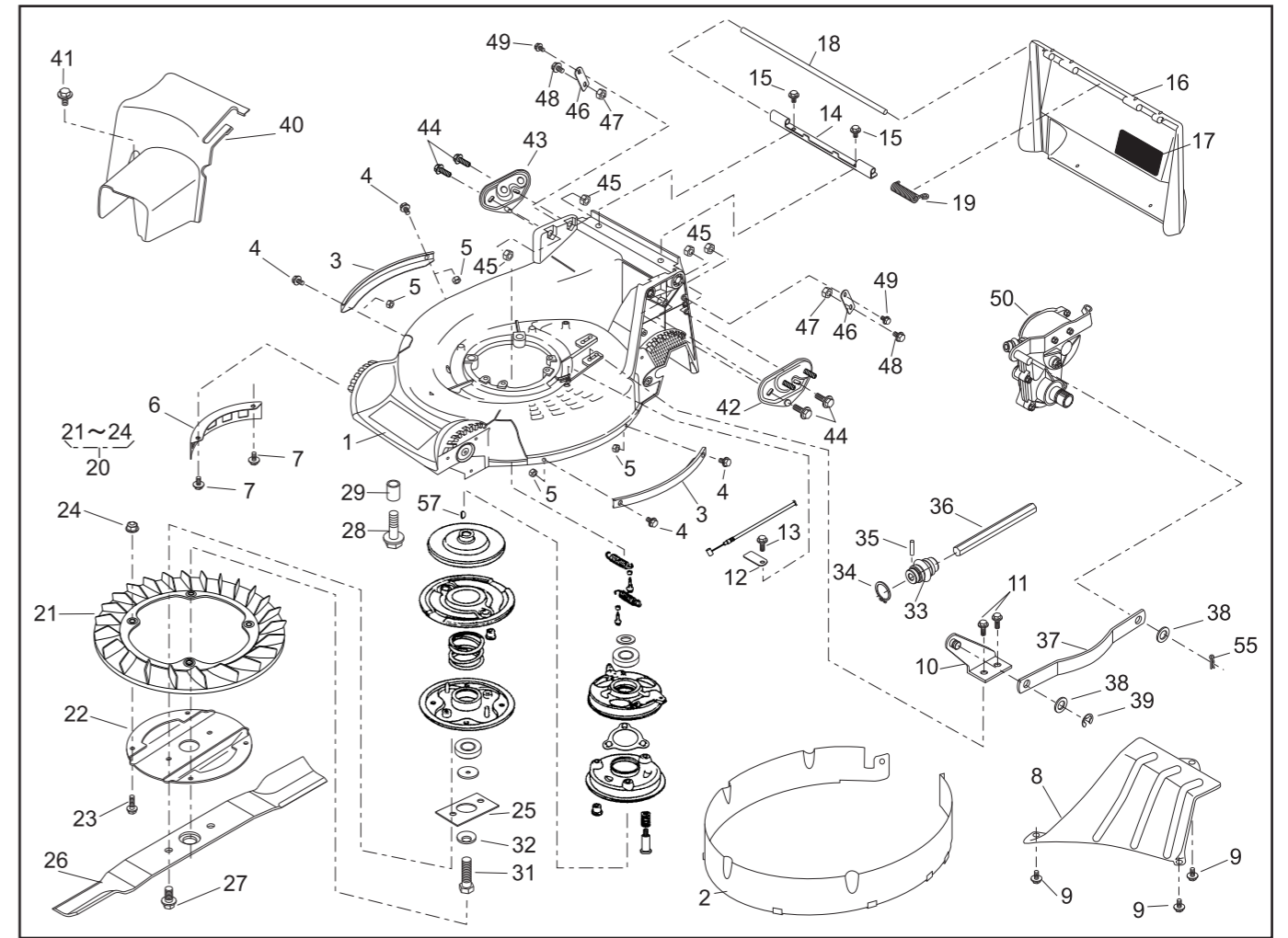


PARTS LIST

46014-411-00

NOTE	REF. No.	PARTS No.	PARTS NAME	GRASS-CUTTING		1/2	02. Jun, 2006	REMARKS
				Q'TY INCLUDING	PRICE()			
	1	51043 147 42	HOUSING	1				
	2	36068 197	GUARD	1				
	3	51090 117 09	PROTECTOR	2				
	4	335L 0616	FLANGE BOLT	4				
	5	512L 0600	HEXAGON NUT	4				
	6	36065 180	COVER	1				
	7	342L 0612	FLANGE BOLT TAPPING	2				
	8	36065 436	COVER	1				
	9	342L 0612	FLANGE BOLT TAPPING	3				
	10	11006 155	STAY C.P.	1				
	11	342L 0612	FLANGE BOLT TAPPING	2				
	12	11113 407	STAY	1				
	13	342L 0612	FLANGE BOLT TAPPING	1				
	14	11113 292	STAY	1				
	15	342L 0612	FLANGE BOLT TAPPING	2				
	16	36068 196 46	GUARD	1				
	17	36080 149	RUBBER SHEET	1				
	18	64014 324	SHAFT	1				
	19	68013 336	SPRING	1				
	20	71082 111	FAN ASSY	1				
	21	51125 103	FAN	1				
	22	11102 151	HOLDER	1				
	23	31062 169	PRE-COAT LOCK BOLT	4				
	24	579L 0600	FLANGE NUT	4				
	25	61024 208	SPACER	1				
	26	91014 159	BLADE	1				
	27	31057 197	HEXAGON BOLT	2				
	28	31057 243	HEXAGON BOLT	4				
	29	61024 142	SPACER	3				



PARTS LIST

46014-411-00

NOTE	REF. No.	PARTS No.	PARTS NAME	GRASS-CUTTING		2/2	02. Jun, 2006	REMARKS
				Q'TY INCLUDING	PRICE()			
	30	71067 106	BRAKE ASSY	1				
	31	31057 196	HEXAGON BOLT	1				
	32	671V 1000	CONICAL SPRING WASHER	1				
	33	91097 101	UNIVERSAL JOINT	1				
	34	812V 2000	C-SNAP RING FOR SHAFT	1				
	35	717B 0418	PARALLEL PIN	1				
	36	64014 359	SHAFT	1				
	37	91049 133	CONNECTOR	1				
	38	68036 280	WASHER	2				
	39	816V 0800	E-SNAP RING	1				
	40	36065 438	COVER	1				
	41	342L 0616	FLANGE BOLT TAPPING	1				
	42	51116 149	HANDLE BRACKET(L)	1				
	43	51116 150	HANDLE BRACKET(R)	1				
	44	31057 255	HEXAGON BOLT	4				
	45	512L 0800	HEXAGON NUT	4				
	46	11113 408	STAY	2				
	47	512L 0800	HEXAGON NUT	2				
	48	31057 181	HEXAGON BOLT	2				
	49	342L 0612	FLANGE BOLT TAPPING	2				
	50	71008 369	GEAR CASE ASSY	1				
	51							
	52							
	53							
	54							
	55	733L 1000	SNAP PIN	1				
	56	122039	ENGINE:HONDA GXV160H2-SFL1-R280	1				
	57		WOOD RUFF KEY	1				
	58							