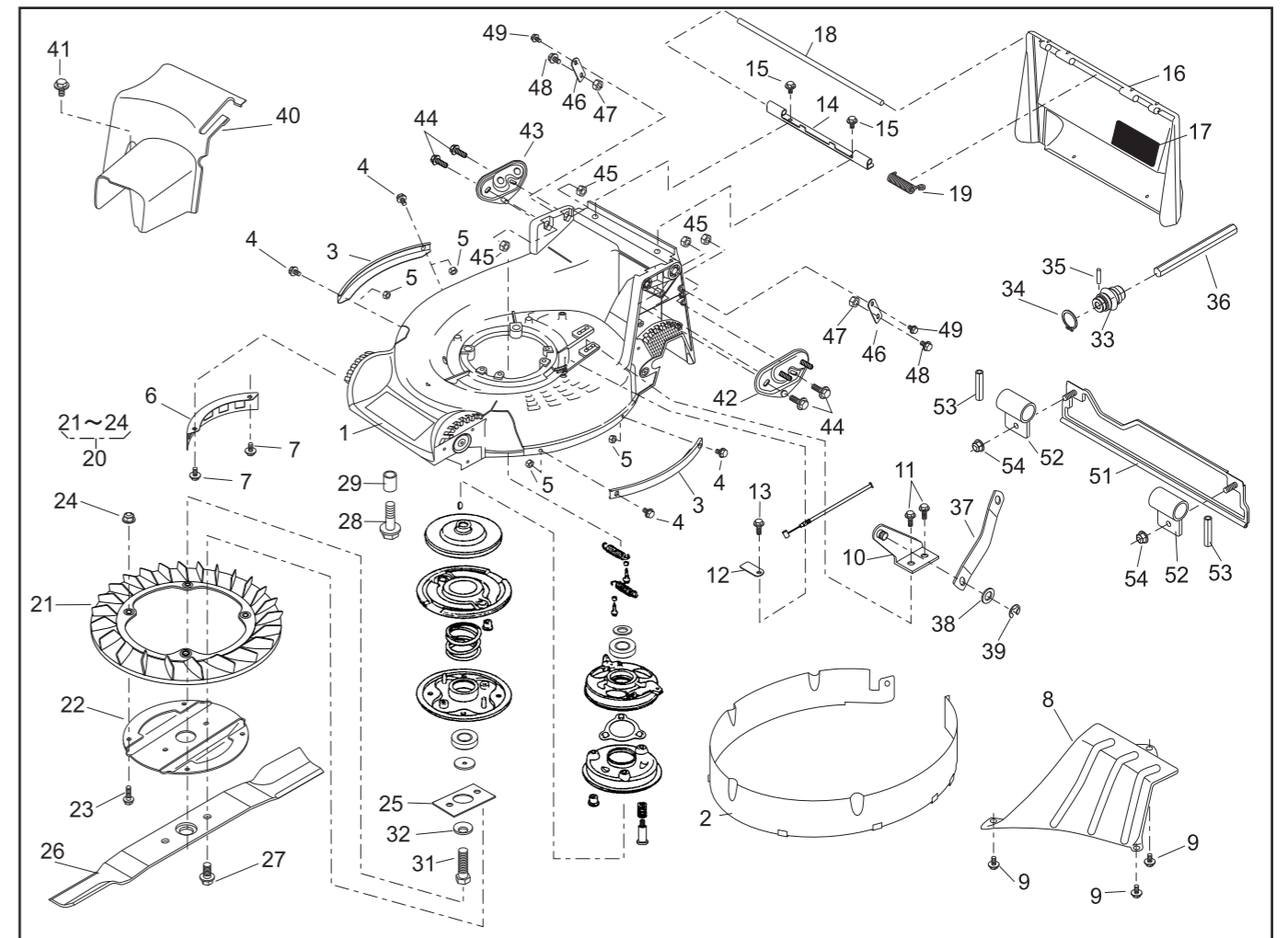


PARTS LIST

MODEL : LM5360HXA-PRO (Serial No. 2000001~2999999)

46014-***

REF. No.	PARTS No.	PARTS NAME	Pro		1/2	Dec.03,2004
			Q'TY INCLUDING	PRICE()	RECOMM.(%) Lot.100	REMARKS
1	51043 147 42	HOUSING	1			
2	36068 197	GUARD	1			
3	51090 117 09	PROTECTOR	2			
4	335L 0616	FLANGE BOLT	4			
5	512L 0600	HEXAGON NUT	4			
6	36065 180	COVER	1			
7	342L 0612	FLANGE BOLT TAPPING	2			
8	36065 436	COVER	1			
9	342L 0612	FLANGE BOLT TAPPING	3			
10	11006 160	STAY C.P.	1			
11	342L 0612	FLANGE BOLT TAPPING	2			
12	11113 407	STAY	1			
13	342L 0612	FLANGE BOLT TAPPING	1			
14	11113 292	STAY	1			
15	342L 0612	FLANGE BOLT TAPPING	2			
16	36068 196 46	GUARD	1			
17	36080 149	RUBBER SHEET	1			
18	64014 324	SHAFT	1			
19	68013 336	SPRING	1			
20	71082 111	FAN ASSY	1			
21	51125 103	FAN	1			
22	11102 151	HOLDER	1			
23	31062 169	PRE-COAT LOCK BOLT	4			
24	579L 0600	FLANGE NUT	4			
25	61024 208	SPACER	1			
26	91014 159 59	BLADE	1			
27	31057 197	HEXAGON BOLT	2			
28	31057 243	HEXAGON BOLT	4			



PARTS LIST

MODEL : LM5360HXA-PRO (Serial No. 2000001~2999999)

46014-***

REF. No.	PARTS No.	PARTS NAME	Pro		2/2	Dec.03,2004
			Q'TY INCLUDING	PRICE()	RECOMM.(%) Lot.100	REMARKS
29	61024 142	SPACER	3			
30	71067 106	BRAKE ASSY	1			
31	31057 196	HEXAGON BOLT	1			
32	671V 1000	CONICAL SPRING WASHER	1			
33	91097 101	UNIVERSAL JOINT	1			
34	812V 2000	C-SNAP RING FOR SHAFT	1			
35	717B 0418	PARALLEL PIN	1			
36	64014 355	SHAFT	1			
37	91049 129	CONNECTOR	1			
38	68036 280	WASHER	1			
39	816V 0800	E-SNAP RING	1			
40	36065 438	COVER	1			
41	342L 0616	FLANGE BOLT TAPPING	1			
42	51116 149	HANDLE BRACKET(L)	1			
43	51116 150	HANDLE BRACKET(R)	1			
44	31057 255	HEXAGON BOLT	4			
45	512L 0800	HEXAGON NUT	4			
46	11113 408	STAY	2			
47	512L 0800	HEXAGON NUT	2			
48	31057 181	HEXAGON BOLT	2			
49	342L 0612	FLANGE BOLT TAPPING	2			
50	71008 377	GEAR CASE ASSY	1			
51	36046 150	SAFETY GUARD	1			
52	11012 126	HANGER BAND	2			
53	711V 0522	SPRING PIN	2			
54	569L 0600	FLANGE NYLON NUT	2			
55						
56	8854	ENGINE:HONDA GXV160	1			