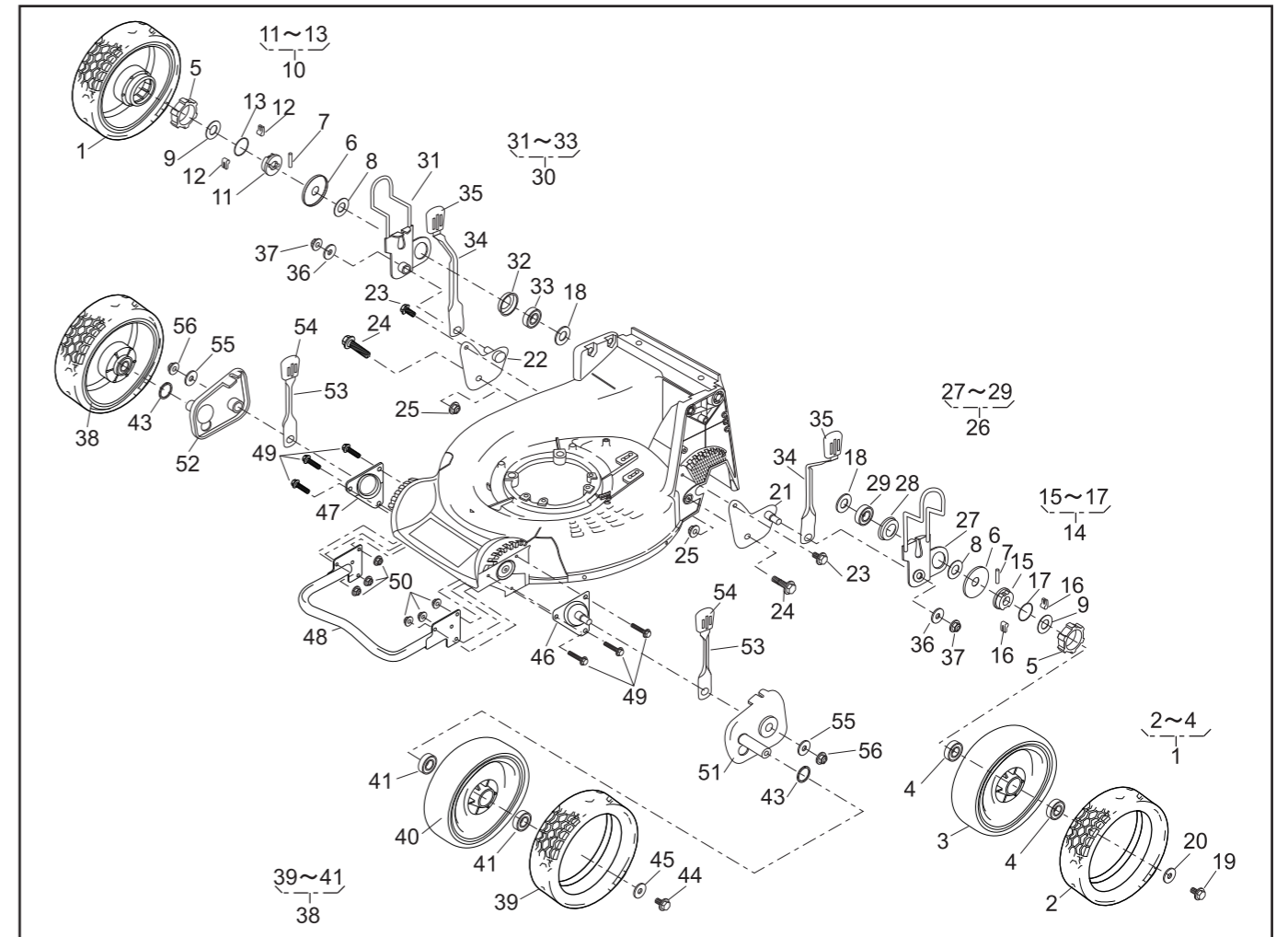


PARTS LIST

46014-225

REF. No.	PARTS No.	PARTS NAME	9.6"AI-WHEEL		PRICE( )	RECOMM.(%) Lot.100	REMARKS
			Q'TY INCLUDING				
1	71041   144	WHEEL ASSY(9.6"A.W.)	2				
2	91086   116	TIRE	2				
3		WHEEL	2				
4	916B   6002	BEARING	4				
5	11086   119	STOPPER	2				
6	61003   112	THRUST PLATE	2				
7	31034   137	PIN	2				
8	68036   270	WASHER	2				
9	68036   146	WASHER	2				
10	71158   101	RATCHET ASSY(R)	1				
11	11102   138	HOLDER	1				
12	31034   170	PIN	2				
13	68013   266	SPRING	1				
14	71158   102	RATCHET ASSY(L)	1				
15	11102   138	HOLDER	1				
16	31034   170	PIN	2				
17	68013   266	SPRING	1				
18	68036   275	WASHER	2				
19	31057   181	HEXAGON BOLT	2				
20	68036   101	WASHER	2				
21	11006   151	STAY C.P.(RL)	1				
22	11006   152	STAY C.P.(RR)	1				
23	342L   0612	FLANGE BOLT TAPPING	2				
24	31057   255	HEXAGON BOLT	2				
25	569L   0800	FLANGE NYLON NUT	2				
26	71122   110	ADJUSTER ASSY(L)	1				
27	11142   125	ADJUSTER(RL)	1				
28	11102   228	HOLDER	1				



PARTS LIST

46014-225

REF. No.	PARTS No.	PARTS NAME	9.6"AI-WHEEL		PRICE( )	RECOMM.(%) Lot.100	REMARKS
			Q'TY INCLUDING				
29	916B   6202	BEARING	1				
30	71122   111	ADJUSTER ASSY(R)	1				
31	11142   126	ADJUSTER(RR)	1				
32	11102   228	HOLDER	1				
33	916B   6202	BEARING	1				
34	11150   105   09	ADJUST LEVER	2				
35	36061   121	KNOB	2				
36	613L   0800	WASHER	2				
37	569L   0800	FLANGE NYLON NUT	2				
38	71041   145	WHEEL ASSY(9.6"A.W.)	2				
39	91086   116	TIRE	2				
40		WHEEL	2				
41	916B   6002	BEARING	4				
42							
43	51113   119	RING	2				
44	31057   181	HEXAGON BOLT	2				
45	68036   101	WASHER	2				
46	11006   153	STAY C.P.(FL)	1				
47	11006   154	STAY C.P.(FR)	1				
48	11153   112	BUMPER	1				
49	335L   0625	FLANGE BOLT	6				
50	569L   0600	FLANGE NYLON NUT	6				
51	11142   127	ADJUSTER(FL)	1				
52	11142   128	ADJUSTER(FR)	1				
53	11150   106   09	ADJUST LEVER	2				
54	36061   121	KNOB	2				
55	613L   0800	WASHER	2				
56	569L   0800	FLANGE NYLON NUT	2				